

STOVAX

Fire Your Imagination

Traditional & Contemporary
Wood & Multi-fuel Stoves





Premium Quality Cast Iron & Steel Stoves

Welcome to Stovax, a company that has been dedicated to the development and manufacture of high quality, woodburning and multi-fuel stoves for over 30 years. Today, Stovax is home to one of Europe's leading ranges of stoves and fireplaces with models and colours to suit all types of interiors.

Authentic choice

There is nothing like the irresistible ambience of a real Stovax stove. Expertly crafted to be either traditional or contemporary in appearance with the flexibility and convenience required for modern living, they continue to offer discerning homeowners the best of all worlds. Whether you choose woodburning or smokeless fuel options they are clean burning, highly efficient and available in sizes and styles to suit most rooms and living spaces.

Cast iron or steel

Originally, all heating stoves, such as the Huntingdon range (illustrated on pages 14 - 23), were made from cast iron. Today, in spite of commercial steel production expanding from the late 19th Century onwards, cast iron remains the material of choice for many premium quality stoves. This is because of the way cast iron diffuses warmth giving maximum radiant heat over a period of time. Moreover, the iron can be cast more thickly in areas where greater strength is needed, whilst additionally allowing attractive designs to be cast into the stove panels.

However, in the 21st Century, modern manufacturing technology also permits the use of heavy gauge steel for the body of the stove with cast iron or steel doors and firebox components complementing it.

Accordingly, both the more traditional Stockton and Riva Plus ranges (see pages 32 - 69) and the contemporary View range (see pages 70 - 77) combine the advantage of both cast iron and steel, offering superb performance and value for money.

State-of-the-art Cleanburn technology

Most stoves in this brochure feature Cleanburn technology so they burn logs or solid fuels with outstanding efficiency*, resulting in more heat delivery into the room and less going up the chimney. It works by introducing pre-heated, secondary air into the firebox to burn the excess hydrocarbons in the smoke. Airwash air also helps keep the window clean, allowing you to enjoy the flames to the full.

CE Marked and HETAS Accredited

All Stovax stoves in this brochure are CE marked, and this is shown by the CE mark on their product pages. This means they have been independently tested to exacting European standards for both heating efficiency and emissions. They have also been accredited by HETAS†, the UK's official body recognised by the government to approve solid fuel domestic heating appliances.

† High Output Boiler Stoves are subject to official listing.





Contents

CAST IRON STOVES	06 – 07	Stockton 11 & 14	56 – 59
Brunel Stoves	08 – 13	Stockton Double Sided Stoves	60 – 61
Huntingdon Stoves	14 – 23	Riva Plus Stoves	62 – 69
Sheraton Stoves	24 – 25	View Stoves	70 – 77
Regency Stoves	26 – 27	HIGH OUTPUT BOILER STOVES	78 – 83
STEEL STOVES	28 – 31	Riva Vision & Freestanding Stoves	84 – 85
Stockton 3, 4 & 5	32 – 39	Electric Stoves	86 – 87
Stockton Milner & 6	40 – 45	Flue Pipe	88 – 89
Stockton 7 & 8	46 – 55	Accessories, Stove Care & Benches	90 – 91
		Dimensions & Flue Pipe	92 – 105

Woodburning and solid fuel

All Stovax stoves are designed either for multi-fuel use, which means they burn logs, smokeless fuels or peat/turf briquettes, or as woodburners only.

Multi-fuel stoves have a riddling grate which allows ash to be riddled into a built-in ashpan to create the optimum conditions for efficient combustion. Woodburners have a fixed grate and no ashpan, since wood burns best on a bed of ashes.

Wood is better in environmental terms as the amount of carbon dioxide released into the atmosphere is approximately the same as that absorbed by the tree during growth. It is also a renewable resource, particularly when derived from plantations and cultivated woodland. For optimum results, we recommend logs should be seasoned for 2 years or more to achieve a moisture content below 20%*. This will not only give a higher output than that of freshly felled timber but help avoid a build up of tar in your flue. Furthermore, if you can obtain hardwood logs this is better still, as they will have a greatly increased calorific value of softwoods for the same volume.



* All efficiencies quoted in this brochure are when tested to European standards for seasoned wood with a moisture content of less than 20% or for approved smokeless fuels

In rural areas, Stovax stoves have a particular advantage as they allow homeowners to burn readily available log supplies from local sources. Indeed, if you are a farmer, smallholder or landowner your fuel could even be free!

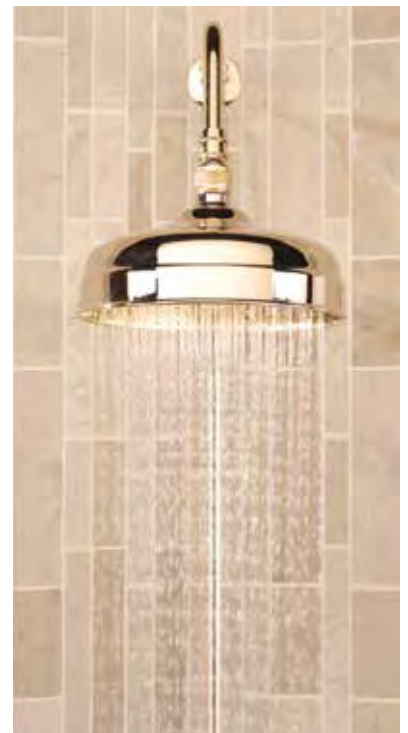
Woodburning efficiency can even be achieved in the most urban environments with our extensive range of Smoke Control Area approved stoves. Please see page 5 for further details.

Just as importantly, if you choose a Stovax stove with a boiler option, you can even provide yourself with domestic hot water or run radiators from the same fire. Please see page 4 for further details.

Five Year Extended Warranty

As outlined on page 90, your Stovax Expert Retailer will provide you with a Five Year Extended Warranty for your new solid fuel stove, provided your stove is registered with Stovax. Please note, this warranty excludes certain consumable parts. Stoves purchased outside of Stovax's Expert Retailer Network will carry a standard 1 Year Warranty. Full warranty terms & conditions are available to view at www.stovax.com





Stovax boiler stoves for complete home heating

Four models within the Stockton range, along with two contemporary View models, have been specifically designed to supply your domestic hot water and central heating requirements or even augment your existing heating system.

Hot water, radiators and underfloor heating

Stovax offer a selection of Multi-fuel and Woodburning High-output Boiler models that come with the boiler built in.

If you choose a stove with an integral High-output Boiler, you can not only supply yourself with domestic hot water but even run your radiators all from the same appliance.

Alternatively, you can 'link up' a Stovax boiler stove with your conventional oil or gas fuelled central heating system. This 'link up' system will not only reduce reliance on your heating being provided from a single fuel source but, if burning wood, will also make your heating better for our environment through lower carbon emissions. 'Link up' can also connect with gas or oil, sealed heating systems, combi's, underfloor heating, advanced electronic controls and solar panels to make even more flexible systems.

Further information about stoves with boilers is given on pages 78 - 83. Stovax also produces a 'link up' guide which shows how to 'link up' your solid fuel boiler with other heat sources, providing examples of typical arrangements and frequently asked questions. For more details, see our link up technology guide at www.stovax.com/linkup.





Clean Air Act compliance

Approved for Smoke Control Areas

Most town and city homes are located in Smoke Control Areas as designated by the Clean Air Act 1993. To burn logs on a stove in these locations, the model installed must have been granted exemption from the regulations by the government through DEFRA.

This exemption is given only to appliances which have been independently tested to demonstrate particularly clean burning combustion. Many stoves in this brochure are approved for use in Smoke Control Areas (when the appropriate smoke control kit is fitted and used in accordance with the product operating instructions) and this is shown on each product page. Your Stovax retailer can give you further help and advice.



Expert Retailer Network

See our stoves in your area

We take great care to ensure that our stoves are designed, tested and manufactured to the highest possible quality and safety standards. We are just as concerned to make certain that they are sold and installed correctly so that you enjoy years of pleasure from your purchase.

Accordingly, you will find our products are only available from experienced, independent retailers who will be happy to show you a selection of models locally in their showrooms, often fully operational; discuss your individual requirements both technical (such as sizing the heat output to your room and advising on your flue type) and design; and ensure that you select the most appropriate product for your home. These retailers will also be able to advise on or assist with the installation process as well as help provide any after-sales support and servicing your appliance may require in the future.

Whilst we encourage our retailers to promote fireplace products and their outlets via the internet, we do not believe suitable levels of customer care and satisfaction can be obtained from nationwide online sales and we would strongly recommend that you consider this when undertaking your research and making a purchasing decision. Further, please be aware that we do not offer technical support (beyond our statutory responsibilities) to products bought via nationwide online sales, where this support would normally be offered by one of our qualified, independent retailers.

Furthermore, Stovax stoves purchased from within our Expert Retailer Network will have the additional benefit of a greatly extended warranty period, subject to terms and conditions.

Full details can be found at www.stovax.com.



Cast Iron Stoves

Wood and Multi-fuel

Every stove in this section is manufactured from cast iron. This is the traditional way of making premium quality stoves due to the way cast iron diffuses heat. Another advantage is that the iron can be cast more thickly in areas where greater strength is needed. It also has sculptural qualities, allowing attractive designs to be cast into the stove panels.

Airtight Construction

All Stovax stove doors, except the Regency, have airtight seals which permit airflows to be precisely controlled. This allows both the heat output and refuelling frequency to be varied and helps maximise burning efficiency.

Perfect Flame Control

The triple air system in certain stoves also allows complete control of the flame picture. From a deep glow, with minimal flames, it takes only a few seconds to fill the firebox with swirling flames from the fuel and jets of flames from the Cleanburn ports.

Enamel Stoves

Enamel is a very thin coating of coloured glass which is fired at over 800°C on to a metal surface. To achieve its translucent and lustrous finish, each casting is especially designed for enamelling and is coated and fired twice. Enamel is an option on many stoves, and available in the three colours shown opposite.





Colour Options



Matt Black



Midnight Blue Enamel



Laurel Green Enamel



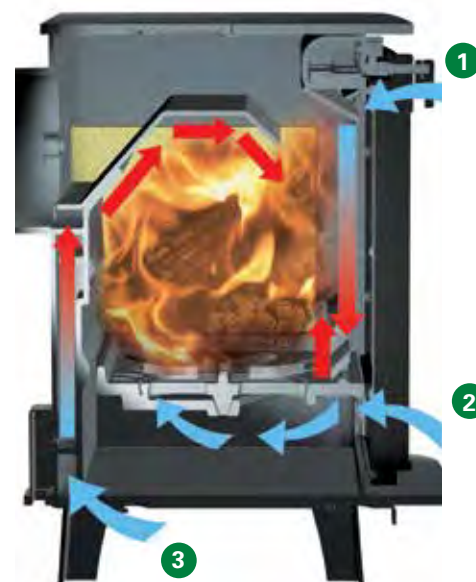
Ivory Enamel

Please see product pages for colour options available for each model.

Triple Air Systems (Cleanburn technology)

Several Stovax stoves incorporate triple air systems to provide a cleaner burn, greater thermal efficiency and control of the flame picture as follows:

- 1 Airwash air is drawn down over the inside of the window to keep the glass clean and clear. It is also used as primary combustion air when burning wood.
- 2 Primary air for use with solid fuel, also used to start wood fires but not normally used once a wood fire is burning.
- 3 Cleanburn secondary air is pre-heated as it passes through a heat exchanger chamber within the firebox. It is then drawn into the smokestream, where it combusts unburnt hydrocarbons to provide a cleaner burn and greater thermal efficiency.





Brunel 1A in Ivory Enamel burning logs.



Brunel 1A

Ideal for smaller rooms, the Brunel 1A is the smallest stove in the Stovax cast iron range and is designed to fit into a standard 22" high British fireplace. Nonetheless, this model still features airwash to help keep the glass window clear, full multi-fuel capability and an externally operated riddling grate.

Key Facts

High efficiency	up to 84%
Multi-fuel (with external riddling)	✓
Ashpan	✓
Airwash	✓
Maximum heat output	4kW
Maximum log length	9 3/4" (250mm)
Room vent not normally required*	✓
Longer leg option (175mm)	✓
Flue outlet	5" top or rear
Matching flue pipe in four colours	✓

*For more information on room vents, please see page 90

Product Codes

Colour	Matt Black	Midnight Blue Enamel	Laurel Green Enamel	Ivory Enamel
Multi-fuel	7008	7008BL	7008LG	7008IV
Ash Caddy	4227 all models			



Matt Black



Midnight Blue Enamel



Laurel Green Enamel



Ivory Enamel





Laurel Green Brunel 2CB
burning smokeless fuel.
Malmo surround also
by Stovax.



Matt Black Brunel 2CB
burning logs.



Brunel 2CB

The Brunel 2CB will bring you extra heating efficiency and economy with the use of the Stovax Cleanburn System. In fact, this neat little stove incorporates all the state-of-the-art features you would expect from Stovax's advanced designs. For example, the stainless steel baffle warms up more quickly than cast iron so it starts working more rapidly, setting new standards in performance.

Key Facts

High efficiency	up to 79%
Multi-fuel (with external riddling)	✓
Ashpan	✓
Cleanburn (with stainless steel heat exchanger)	✓
Airwash	✓
Maximum heat output	6kW
Maximum log length	13" (330mm)
Longer leg option (175mm)	✓
Flue outlet	5" top or rear
Matching flue pipe in four colours	✓

Product Codes

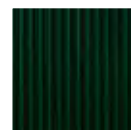
Colour	Matt Black	Midnight Blue Enamel	Laurel Green Enamel	Ivory Enamel
Multi-fuel	7051	7051BL	7051LG	7051IV
Ash Caddy	4227 all models			



Matt Black



Midnight Blue Enamel



Laurel Green Enamel



Ivory Enamel



Matt Black Brunel 3CB
with optional longer legs.
Shown with Cavendish
Bolection mantel in
Natural Limestone.





Midnight Blue Brunel 3CB burning smokeless fuel.

Brunel 3CB

The largest stove in the Brunel range, the 3CB has an extensive window through which you can take pleasure from the swirling flames of the Stovax Cleanburn System. Again, this stove incorporates all of Stovax's state-of-the-art technical features such as the stainless steel baffle. Furthermore, with full multi-fuel capability and external riddling, the Brunel 3CB generates up to 7kW of heat for you to enjoy.

Key Facts

High efficiency	up to 83%
Multi-fuel (with external riddling)	✓
Ashpan	✓
Cleanburn (with stainless steel heat exchanger)	✓
Airwash	✓
Maximum heat output	7kW
Maximum log length	15 3/4" (400mm)
Longer leg option (250mm)	✓
Boiler option	✗
Flue outlet	6" top or rear
Matching flue pipe in three colours	✓

Product Codes

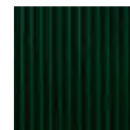
Colour	Matt Black	Midnight Blue Enamel	Laurel Green Enamel
Multi-fuel	7053	7053BL	7053LG
Ash Caddy	4228 all models		



Matt Black



Midnight Blue Enamel



Laurel Green Enamel





Matt Black Huntingdon 25 with clear door burning logs. Pembroke surround and Chelsea cast front also by Stovax.



Midnight Blue Huntingdon 25 with tracery door burning logs.

Huntingdon 25

It may be the smallest stove in the Huntingdon range, but the Huntingdon 25 provides virtually all the features of larger models and is specially designed to suit everything from a country cottage to a modern townhouse. So it's ideal for burning logs yet is equally proficient with smokeless fuels or peat briquettes. In fact, the compact Huntingdon 25 is just the stove to bring you a picture of comfort this winter.

Key Facts

High efficiency	up to 78%
Multi-fuel (with external riddling)	✓
Approved for Smoke Control Areas*	✓
Tracery or clear door versions (matt black)	✓
Ashpan	✓
Airwash	✓
Maximum heat output	4.9kW
Maximum log length	9 ^{3/4} " (250mm)
Room vent not normally required**	✓
Boiler option	✗
Flue outlet	5" top or rear
Matching flue pipe in three colours	✓

* When fitted with a Smoke Control Kit.

**For more information on room vents, please see page 90

Product Codes

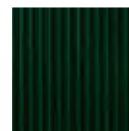
Colour	Matt Black	Midnight Blue Enamel	Laurel Green Enamel
Multi-fuel - tracery door	7058	7058BL	7058LG
Multi-fuel - clear door	7057	-	-
Ash Caddy	4227 all models		
Smoke Control Kit	H25SCKIT		



Matt Black



Midnight Blue Enamel



Laurel Green Enamel





Matt Black multi-fuel
Huntingdon 28 with clear
door burning logs.



Huntingdon 28

With Gothic door mouldings complemented by reeded side panels, the Huntingdon 28 is an elegant piece of furniture in its own right. The very latest advances in stove design technology allow you to enjoy the movement of the flames to the full; especially as you can precisely adjust the flame picture via dual air controls.

Key Facts

High efficiency	up to 82%
Multi-fuel (with external riddling)	✓
Tracery or clear door versions (matt black)	✓
Ashpan	✓
Cleanburn	✓
Airwash	✓
Concealed handles & hinges	✓
Maximum heat output	6kW
Maximum log length	12" (300mm)
Boiler option	✗
Flue outlet	5" top or rear
Matching flue pipe in four colours	✓

Product Codes

Colour	Matt Black	Midnight Blue Enamel	Laurel Green Enamel	Ivory Enamel
Multi-fuel - tracery door	7065	7065BL	7065LG	7065IV
Multi-fuel - clear door	7064	-	-	-
Ash Caddy	4227 all models			



Matt Black



Midnight Blue Enamel



Laurel Green Enamel



Ivory Enamel



Matt Black multi-fuel Huntingdon 28
with tracery door burning logs.







Ivory enamel multi-fuel Huntingdon 30 with tracery door burning logs
Also shown: Stovax Georgian wooden mantel.

Huntingdon 30

The Huntingdon 30 combines refined styling with significant heating capacity, making it the ideal choice for many homes. Dual air levers, allowing you to select the amount of flame/glow and heat output to suit your needs, provide exacting control of combustion whilst there is also an external riddling feature to aid the efficient burning of smokeless fuels.

Key Facts

High efficiency	up to 82%
Multi-fuel (with external riddling)	✓
Tracery or clear door versions (matt black)	✓
Ashpan	✓
Cleanburn	✓
Airwash	✓
Concealed handles & hinges	✓
Maximum heat output	6kW
Maximum log length	12" (300mm)
Boiler option	X
Flue outlet	6" top or rear
Matching flue pipe in four colours	✓

Product Codes

Colour	Matt Black	Midnight Blue Enamel	Laurel Green Enamel	Ivory Enamel
Multi-fuel - tracery door	7055	7055BL	7055LG	7055IV
Multi-fuel - clear door	7054	-	-	-
Ash Caddy	4227 all models			



Matt Black



Midnight Blue Enamel



Laurel Green Enamel



Ivory Enamel





Multi-fuel Laurel Green Huntingdon 35 burning logs.



Huntingdon 35

Available in individual woodburning and multi-fuel versions, the clean, graceful lines of the Huntingdon 35 make this classic design look attractive even when it is not alight. The woodburning version has a solid cast iron base and no ashpan, as wood burns more efficiently on a bed of ash. The multi-fuel version also incorporates external riddling and dual air controls for accurate regulation of the flames and combustion.

Key Facts

High efficiency	up to 82%
Wood version	✓
Multi-fuel (with external riddling)	✓
Tracery or clear door versions (matt black)	✓
Ashpan	✓
Cleanburn	✓
Airwash	✓
Concealed handles & hinges	✓
Maximum heat output	7.0kW
Maximum log length	14" (350mm)
Shorter leg option	✓
Boiler option	✗
Flue outlet	6" top or rear
Matching flue pipe in four colours	✓

Product Codes

Colour	Matt Black	Midnight Blue Enamel	Laurel Green Enamel	Ivory Enamel
Wood - tracery door	7063	-	-	-
Multi-fuel - tracery door	7061	7061BL	7061LG	7061IV
Multi-fuel - clear door	7060	-	-	-
Short legs (set of 4)	7090S	7090BLS	7090LGS	7090IVS
Ash Caddy	4227 all models			



Matt Black



Midnight Blue Enamel



Laurel Green Enamel



Ivory Enamel





Woodburning Matt Black Huntingdon 35 with tracery door.
Victorian Corbel stone mantel also by Stovax.





Multi-fuel Midnight Blue Huntingdon 40 burning smokeless fuel. Sandringham limestone surround also by Stovax.



Huntingdon 40

The biggest model in the Huntingdon range – and the most powerful. With up to 9kW of heat output, the 40 is equally at home in both traditional inglenook and modern fireplace settings. You can choose from either the woodburning version with flat cast iron base plate or the multi-fuel version with external riddling and concealed ashpan. Also, do not forget to opt for matching flue pipe, particularly when installing your stove in an inglenook.

Key Facts

High efficiency	up to 88%
Wood version	✓
Multi-fuel (with external riddling)	✓
Tracery or clear door versions (matt black)	✓
Ashpan	✓
Cleanburn	✓
Airwash	✓
Concealed handles & hinges	✓
Maximum heat output	9kW
Maximum log length	15 ^{3/4} " (400mm)
Shorter leg option	✓
Flue outlet	6" top or rear
Matching flue pipe in three colours	✓

Product Codes

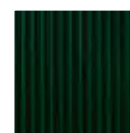
Colour	Matt Black	Midnight Blue Enamel	Laurel Green Enamel
Wood - tracery door	7069	-	-
Multi-fuel - tracery door	7075	7075BL	7075LG
Multi-fuel - clear door	7074	-	-
Short legs (set of 4)	7090S	7090BLS	7090LGS
Ash Caddy	4227 all models		



Matt Black



Midnight Blue Enamel



Laurel Green Enamel



Sheraton stove with standard legs, burning logs. Shown with Claremont Limestone mantel also available from Stovax.





Sheraton Stoves are available with optional longer legs, which increase the overall height from 23^{3/8}" (595mm) to 26^{5/8}" (677mm).

Sheraton

With clean classical lines and extra large thermal glass windows, the Sheraton is ideal for use in traditional or modern settings. Its rear flue exit will also fit into a standard British fireplace opening. The stove is offered with different grate and thermostat options and a matt black finish. The firebox has a large capacity and uses vermiculite fire bricks; these, together with the advanced aeration system, help to produce a very clean burn with lower environmental pollution. The aeration system also incorporates a very effective airwash system to keep the windows clean.

Key Facts

High efficiency	up to 84%
Woodburning version	✓
Multi-fuel (with external riddling)	✓
Ashpan	✓
Airwash	✓
Maximum heat output	8kW
Maximum log length	15 ^{3/4} " (400mm)
Longer leg option	✓
Flue outlet	6" top or rear

Product Codes

Woodburning version*	7016
Multi-fuel version (fixed grate/thermostat)*	7017
Multi-fuel version (riddling grate/thermostat)*	7027
Ash Caddy	4228

*Long legs are also available, please contact Stovax Customer Services for details.

The thermostat and extending riddling lever are discreetly located behind the stove. When not in use the extension slides out of sight, over the main riddling lever. The thermostat is also concealed behind the stove and only the control lever is visible from the front.



Matt Black

Small Regency with brass rail set (3041) burning logs.





Barbecue grill



Bean pot assembly



Firescreen

Regency

Originally patented in 1742 by Benjamin Franklin, the Regency enjoys a pedigree unmatched by any other stove. It was designed at a time when America was still a British colony and its proportions were undoubtedly influenced by Franklin's extended visits to Georgian London. With the doors open and a fire burning, the Regency's large firebox produces the atmosphere of a traditional open fireplace.

The Regency is supplied in two sizes. A pair of polished brass balls are supplied with each stove and a brass rail set is available as an optional accessory. Cast into the side panel of every Regency is a support bracket into which an optional barbecue or bean pot may be fixed. Both of these are manufactured from cast iron and the bean pot is supplied complete with a swinging arm which fits into the support bracket.

Key Facts

Size	Small	Medium
Multi-fuel	✓	✓
Ashpan	✓	✓
Max. heat output	5kW	8kW
Max. log length	16" (410mm)	19" (480mm)
Flue outlet	8" top or rear	8" top or rear

Product Codes

Size	Small	Medium
Multi-fuel	1000	1001
Brass Rail Set	3041	3012
Barbecue Grill	1008	1009
Bean Pot Assembly	3027	3026
Firescreen	3008	3008
Ash Caddy	4230	4230



Medium Regency with doors closed



Matt Black





Steel Stoves

Wood and Multi-fuel

Combining cast iron for the airtight doors and main firebox components with heavy gauge steel for the body, the Stockton, Riva Plus and View stoves benefit from both materials with enhanced performance and combustion control as well as value for money. Stovax's triple air systems also provide powerful and swift control over the heat output as well as outstanding views of the flames.



Stockton 6

Stockton Stoves

With eight sizes, each available in four colours, and some models having a further choice of door styles and canopies, there is a Stockton stove to suit any home. Furthermore, there are inset versions, double sided versions and even boiler versions, so whether traditional or modern, large or small, in country or town, burning wood or solid fuel you should find a Stockton to match your setting.

Riva Plus Stoves

The versatile Riva Plus range comes in a choice of four sizes offering heat output from two to 11kW. Available as either woodburners or with the capability to burn smokeless fuel, the range can be personalised with the addition of a low or high canopy as well as removable window crosses for all but the smallest size. The Riva Plus also benefits from a boost setting for lighting and refuelling as well as other innovative design and performance features.



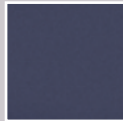
Riva Plus Medium



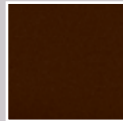
Stockton Colour Options



Matt Black



Metallic Blue



Metallic Brown



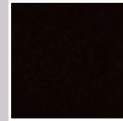
Metallic Green

Riva Plus Colour Options



Matt Black

View Colour



Jet Black Metallic



View Stoves

Available in a choice of three freestanding sizes and an inset version, the View offers high efficiency heating in ultimate style - perfect for more contemporary homes! You can even achieve whole house heating if you opt for the View 7 Inset or View 8 High Output boiler versions, with the capability of supplying up to nine radiators as well as providing a cosy warmth to the room in which they are situated.



AIRWASH System



CLEANBURN System



View 5

Stunning flame effects due to Cleanburn technology

The triple air systems incorporated in Stockton, Riva Plus and View stoves combine to provide superb flame control and exceptional views of the fire, so you can also create different ambiances to suit your mood. From a deep glow, with minimal flames, it takes only a few seconds to fill the firebox with swirling flames.



Steel Stoves Key Features

Stockton Design Features

- 1 5mm heavy duty steel body.
- 2 Cast iron airtight door with primary air control slider.
- 3 Cast iron fireback incorporating heat exchanger for Cleanburn system.
- 4 Heated air jets from Cleanburn ports burn hydrocarbons in smoke.
- 5 Airwash control slider to maintain a cleaner glass window including a boost setting on the Stockton range.
- 6 Riddling (multi-fuel versions).
- 7 Top or rear flue exit connecting to stove flue pipe.
- 8 Firebrick lining.
- 9 Adjustable secondary air on Stockton stoves, giving greater control when burning different fuel types.
- 10 The Stockton has a retaining lip on the pan design to increase ash reduction and a runner system to ensure smooth removal and replacement when emptying.
- 11 The solid plate log guard on woodburning Stockton models prevents ash spillage (not illustrated).
- 12 Specially developed, integral boiler versions available (see page 78).
- 13 Stockton Universal tool (see right).
- 14 Optional smoke control kit (not illustrated) available on most models to allow them to be used in smoke control areas.



Stockton Universal Tool

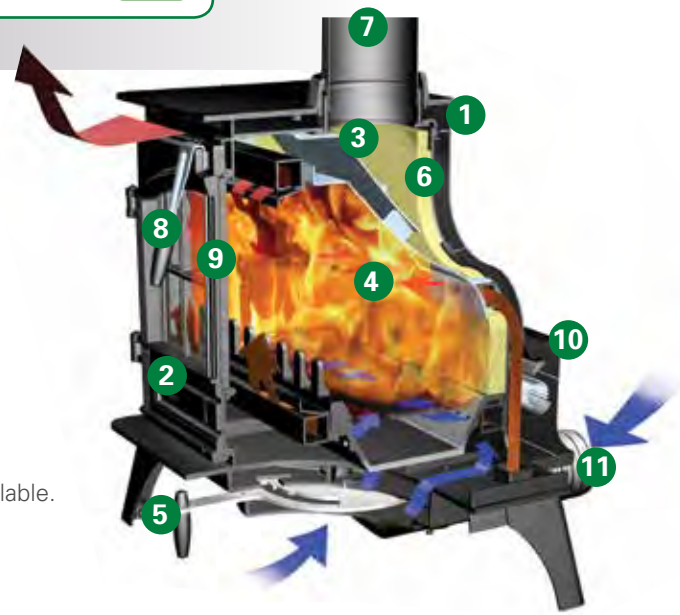


This fits over the stove handle to provide additional leverage and easier usage when the handle is hot as well as ash pan lifting and stove riddling on Stockton models.

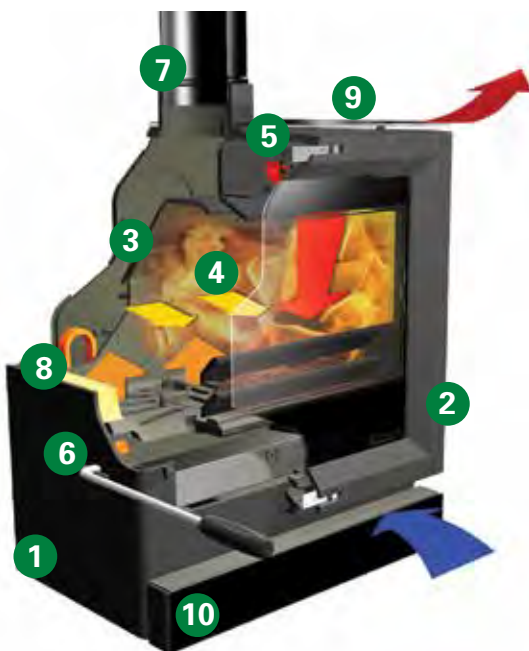


Riva Plus Design Features

- 1 Heavy duty steel body.
- 2 Airtight cast iron door.
- 3 Stainless steel baffle.
- 4 Heated air jets from cleanburn ports burn hydrocarbons in smoke.
- 5 Single lever for control of cleanburn combustion and airwash system.
- 6 Firebrick lining.
- 7 Top or rear flue exit connecting stove to flue pipe.
- 8 Removable tool to operate door handle.
- 9 Removable 'window crosses' for clear window.
- 10 Integrated Warm Air Convection System, with Fan assisted option available.
- 11 Optional external air facility for draught reduction.
- 12 Optional Smoke Control Kit available on most models (not illustrated).
- 13 Low and high canopy options (not illustrated).



View Design Features



- 1 5mm heavy duty steel body.
- 2 Cast iron airtight door with integrated primary air control slider
- 3 Cast iron fireback incorporating heat exchanger for Cleanburn system.
- 4 Heated air jets from Cleanburn ports burn hydrocarbons in smoke.
- 5 Integrated Airwash control slider to maintain a cleaner glass window.
- 6 Riddling with removable tool (multi-fuel versions).
- 7 Top or rear flue exit connecting to stove flue pipe.
- 8 Firebrick lining.
- 9 Optional glass top plate
- 10 Integral glass fronted plinth.
- 11 Specially developed, integral boiler version (see page 82).
- 12 Cleanburn air control ports (not illustrated).
These are on the rear of the stove and pre-set in the factory.
- 13 Optional smoke control kit (not illustrated) available on most models to allow them to be used in smoke control areas.
- 14 Stainless steel fire tools included.
- 15 Optional contemporary stove benches (see page 91).



Stockton 3 in Matt Black burning logs.



Stockton 3

The mini stove of the Stockton range is specifically designed to fit neatly into a standard 22" (560mm) high x 16" (405mm) wide British fireplace opening with the chairbrick removed. It has full multi-fuel capability and its compact dimensions make this stove equally suitable for houseboats, summerhouses and garden workshops.

Key Facts

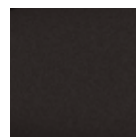
High efficiency	up to 86%
Multi-fuel (with external riddling)	✓
Approved for Smoke Control Areas*	✓
Cleanburn	✓
Airwash	✓
Flat top	✓
Maximum heat output	3.75kW
Maximum log length	7 7/8" (200mm)
Room vent not normally required**	✓
Boiler option	✗
Flue outlet	5" top or rear
Choice of four colours	✓

* When fitted with a Smoke Control Kit.

**For more information on room vents, please see page 90

Product Codes

Colour	Matt Black	Metallic Blue	Metallic Brown	Metallic Green
Multi-fuel	ST3MF1	ST3MF1BL	ST3MF1BR	ST3MF1GR
Sparkguard	7223 all models			
Ash Caddy	4227 all models			
Smoke Control Kit	SZKIT3 all models			



Matt Black



Metallic Blue



Metallic Brown



Metallic Green









Multi-fuel version of Stockton 4 in Matt Black burning logs. Shown with Stovax Alborg mantel and Triangular black log holder.

Stockton 4

Available in both woodburning and multi-fuel versions, the Stockton 4 is one of our most popular models. With its slim, vertical alignment it is ideally suited to smaller rooms and will complement a traditionally styled or contemporary interior. Choose from a range of four colours to further personalise your stove to your interior décor.

Key Facts

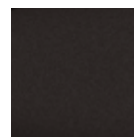
High efficiency	up to 85%
Multi-fuel (with external riddling)	✓
Wood	✓
Approved for Smoke Control Areas*	✓
Cleanburn	✓
Airwash	✓
Flat top	✓
Maximum heat output	4kW
Maximum log length	7 7/8" (200mm)
Room vent not normally required**	✓
Boiler option	✗
Flue outlet	5" top or rear
Choice of four colours	✓

* When fitted with a Smoke Control Kit.

**For more information on room vents, please see page 90

Product Codes

Colour	Matt Black	Metallic Blue	Metallic Brown	Metallic Green
Wood version	ST4W1	ST4W1BL	ST4W1BR	ST4W1GR
Multi-fuel version	ST4MF1	ST4MF1BL	ST4MF1BR	ST4MF1GR
Wood kit	WDKIT4 all models			
Sparkguard	7224 all models			
Ash Caddy	4227 all models			
Smoke Control Kit	SZKIT3 all models			



Matt Black



Metallic Blue



Metallic Brown



Metallic Green





Stockton 5

The Stockton 5 offers you a squarer landscape style compared to the portrait style of the Stockton 3 or Stockton 4, and is available as either a woodburning stove or as a multi-fuel model with external riddling. The additional width allows you to load logs up to 13" (330mm) in length. Both the woodburning and multi-fuel versions are available with a low canopy.

Key Facts

High efficiency	up to 85%
Multi-fuel (with external riddling)	✓
Wood	✓
Approved for Smoke Control Areas*	ST5W1, ST5WLC1, ST5MF1
Cleanburn	✓
Airwash	✓
Flat top version	✓
Low canopy version	✓
Maximum heat output	4.9kW
Maximum log length	13" (330mm)
Room vent not normally required**	✓
Boiler option	✗
Flue outlet	5" top or rear
Choice of four colours	✓

* When fitted with a Smoke Control Kit.

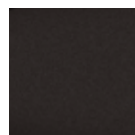
**For more information on room vents, please see page 90

Product Codes

Colour	Matt Black	Metallic Blue	Metallic Brown	Metallic Green
Wood - flat top	ST5W1	ST5W1BL	ST5W1BR	ST5W1GR
Wood - low canopy	ST5WLC1	ST5WLC1BL	ST5WLC1BR	ST5WLC1GR
Multi-fuel kit	MFKIT5	MFKIT5	MFKIT5	MFKIT5
Multi-fuel - flat top	ST5MF1	ST5MF1BL	ST5MF1BR	ST5MF1GR
Multi-fuel - low canopy	ST5MFLC1	ST5MFLC1BL	ST5MFLC1BR	ST5MFLC1GR
Wood kit	WDKIT5 all models			
Ash Caddy	4227 all models			
Sparkguard	7225 all models			
MF ¹ Smoke Control Kit	SZKIT5MF flat top models only			
WB ¹ Smoke Control Kit	SZKIT5 all models			

¹MF - Multi-fuel models

¹WB - Woodburning models



Matt Black



Metallic Blue



Metallic Brown



Metallic Green



Multi-fuel version of Stockton 5 with external riddling. Shown here in Matt Black burning logs with Brompton mantel in White also available from Stovax.





Stockton 5 Midline in Matt Black burning logs.



Stockton 5 Midline

As an alternative to the standard Stockton 5, you can choose the Midline version. This design offers a slightly more integrated, contemporary slant that is particularly suited to modern interiors yet still provides all the benefits of the original model.

Key Facts

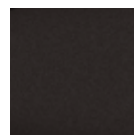
High efficiency	up to 85%
Multi-fuel (with external riddling)	✓
Approved for Smoke Control Areas*	✓
Cleanburn	✓
Airwash	✓
Flat top	✓
Maximum heat output	4.9kW
Maximum log length	13" (330mm)
Room vent not normally required**	✓
Boiler option	✗
Flue outlet	5" top or rear
Choice of four colours	✓

* When fitted with a Smoke Control Kit.

**For more information on room vents, please see page 90

Product Codes

Colour	Matt Black	Metallic Blue	Metallic Brown	Metallic Green
Multi-fuel	ST5MIDMF1	ST5MIDMF1BL	ST5MIDMF1BR	ST5MIDMF1GR
Wood kit	WDKIT5 all models			
Ash Caddy	4227 all models			
Sparkguard	7225 all models			
Smoke Control Kit	SZKIT5MF all models			



Matt Black



Metallic Blue



Metallic Brown



Metallic Green









Design Features

- 1 5mm heavy duty steel body.
- 2 Easy fit.
- 3 Specifically designed for 16" or 18" Milner brick openings.
- 4 Cast Iron Side Panels.
- 5 Cast iron air-tight door with primary air control lever.
- 6 Airwash to maintain a cleaner glass window.
- 7 Heated air jets from Cleanburn ports burn hydrocarbons in smoke (internal).
- 8 External riddling lever.



Stockton Milner

The Stockton Milner has been specifically designed to fit into a 16" - 18" wide and 20" - 22" high fireplace without the Milner brick needing to be removed. This means that it can be easily secured and sealed into an existing chimney without the requirement for any building work making it cheaper to install. More efficient than an open fire, the Stockton Milner gives you greater control of combustion, more heat for your money and therefore lower fuel costs. Features of the Stockton Milner include, easy fitting, multi-fuel with external riddling, convection system, Cleanburn and Airwash.

Key Facts

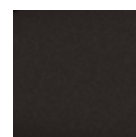
High efficiency	up to 76%
Multi-fuel (with external riddling)	✓
Approved for Smoke Control Areas*	✓
Cleanburn	✓
Airwash	✓
Maximum heat output	5kW
Maximum log length	9 7/8" (250mm)
Room vent not normally required**	✓
Flue outlet	6" top

* When fitted with a Smoke Control Kit.

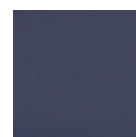
**For more information on room vents, please see page 90

Product Codes

Multi-fuel	STMB
Sparkguard	7227
Ash Caddy	4227
Smoke Control Kit	STMBSCKIT



Matt Black



Metallic Blue



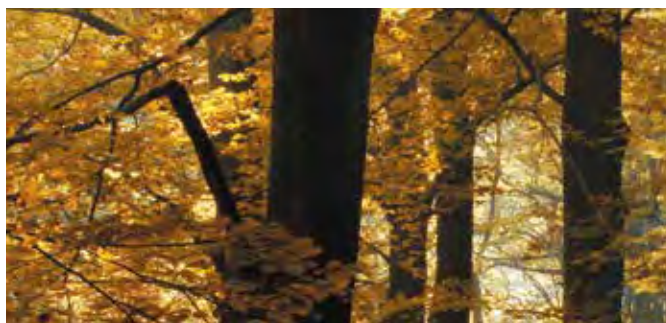
Metallic Brown



Metallic Green



Multi-fuel version of Stockton 6 in Matt Black burning logs.



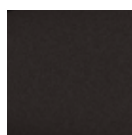
Stockton 6

The superb combination of size and heating capacity make the standard Stockton 6 particularly versatile. It is produced as a woodburning stove (easily adapted to multi-fuel use with the optional riddling grate kit) or as a dedicated multi-fuel version with external riddling. Alternatively, you can choose the multi-fuel Stockton 6 Highline version (see page 44) - a stove that provides an impressive focal point in kitchens and open plan rooms. All models also accept the optional 'clip-in' steel boiler. This will provide an abundant supply of domestic hot water during the winter months.

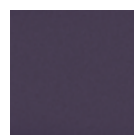
Key Facts

High efficiency	up to 80%
Multi-fuel (with internal riddling)	✓
Multi-fuel (with external riddling)	✓
Wood	✓
Approved for Smoke Control Areas*	✓
Cleanburn	✓
Airwash	✓
Flat top	✓
Maximum heat output	6kW
Maximum log length	9 7/8" (250mm)
Boiler option (for outputs see page 99)	✓
Flue outlet	5" top or rear
Choice of four colours	✓

* When fitted with a Smoke Control Kit.



Matt Black



Metallic Blue



Metallic Brown



Metallic Green



Multi-fuel version of Stockton 6 in Matt Black.
Pembroke surround also by Stovax.



The multi-fuel Stockton 6 Highline features external riddling, a handy warming shelf, wood store and extra large base plate. There is also a choice of colour matched tiles for the warming shelf.





Stockton 6 Highline

Product Codes - Standard version

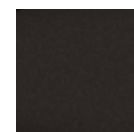
Colour	Matt Black	Metallic Blue	Metallic Brown	Metallic Green
Wood version	ST6W1	ST6W1BL	ST6W1BR	ST6W1GR
Multi-fuel kit	MFKIT6 all models			
Multi-fuel version	ST6MF1	ST6MF1BL	ST6MF1BR	ST6MF1GR
Wood kit	WDKIT6 all models			
Clip-in boiler	7206 all models			
Sparkguard	7226 all models			
Ash Caddy	4227 all models			
Smoke Control Kit	SZKIT6 all models			

Product Codes - Highline version

Colour	Matt Black	Metallic Blue	Metallic Brown	Metallic Green
Multi-fuel with external riddling	ST6HLMF1	ST6HLMF1BL	ST6HLMF1BR	ST6HLMF1GR
Wood kit	WDKIT6 all models			
Clip-in boiler	7206 all models			
Sparkguard	7226 all models			
Ash Caddy	4227 all models			
Smoke Control Kit	SZKIT6 all models			

Warming Shelf Tiles

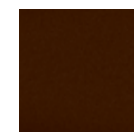
Every Highline stove is supplied with a 3-tile set for the warming shelf, in a choice of 8 colours.



Matt Black



Metallic Blue



Metallic Brown



Metallic Green





Multi-fuel version of Stockton 7 in Metallic Brown.

Stockton 7

The larger, but perfectly proportioned dimensions of the Stockton 7 make it an ideal choice for grander rooms. With significant heating potential of up to 7kW, and is easily capable of providing warmth and ambience to even the loftiest of spaces. Available as a solid fuel or woodburning appliance, the Stockton 7 can take logs up to 12¾" (325mm) in length meaning less work is required to prepare the fuel for your stove.

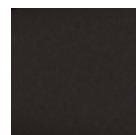
Key Facts

High efficiency	up to 80%
Multi-fuel (with internal riddling)	✓
Multi-fuel (with external riddling)	✓
Wood	✓
Approved for Smoke Control Areas*	✓
Cleanburn	✓
Airwash	✓
Flat top	✓
Maximum heat output	7kW
Maximum log length	12 ³ / ₄ " (325mm)
Boiler option (for outputs see page 99)	✓
Flue outlet	6" top or rear
Choice of four colours	✓

* When fitted with a Smoke Control Kit.

Product Codes

Colour	Matt Black	Metallic Blue	Metallic Brown	Metallic Green
Wood version	ST7W1	ST7W1BL	ST7W1BR	ST7W1GR
Multi-fuel kit	MFKIT7 all models			
Multi-fuel version	ST7MF1	ST7MF1BL	ST7MF1BR	ST7MF1GR
Wood kit	WDKIT7 all models			
Clip-in boiler	7207 all models			
Sparkguard	7227 all models			
Ash Caddy	4227 all models			
Smoke Control Kit	SZKIT5 all models			



Matt Black



Metallic Blue



Metallic Brown



Metallic Green

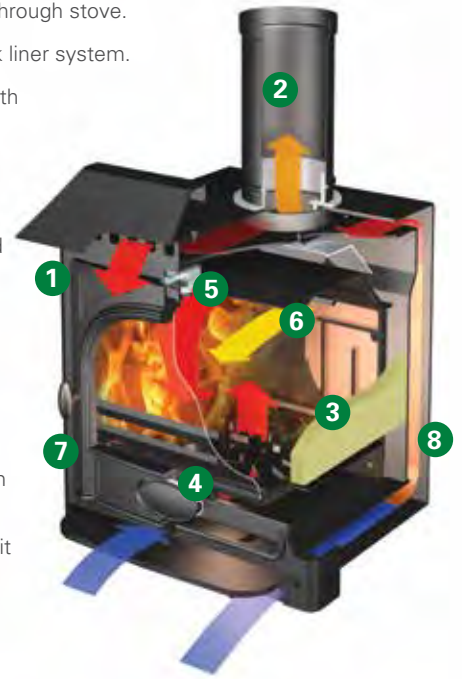




Stockton 7 Inset Convector with flat top, shown here in Matt Black burning logs.

Design Features

- 1 5mm heavy duty steel body.
- 2 Easy fit flue connection through stove.
- 3 Vermiculite, thermal brick liner system.
- 4 Cast iron air-tight door with primary air control lever, clearly labelled and with a smooth trajectory for ease of use.
- 5 Airwash control lever and boost setting to maintain a cleaner glass window.
- 6 Heated air jets from Cleanburn ports burn hydrocarbons in smoke.
- 7 External riddling lever.
- 8 High output boiler version also available.
- 9 Optional smoke control kit available (not illustrated)



Stockton 7 Inset Convector

The Stockton range has been developed to offer you an inset convector fireplace with most of the heating advantages of a freestanding Stockton stove. With its cleverly designed Cleanburn and convection systems, the Stockton 7 Inset Convector is around four times more efficient than an open fire; giving you greater control of combustion, more heat for your money and lower fuel costs. There is also an integral boiler version which produces up to 25,000 BTU's of hot water (see pages 78 - 81).

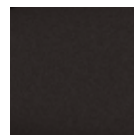
Key Facts

High efficiency	up to 87%
Multi-fuel (with external riddling)	✓
Approved for Smoke Control Areas*	✓
Cleanburn	✓
Airwash	✓
Radiant heat + convection systems	✓
Flat top and low canopy versions	✓
Maximum heat output	7kW
Maximum log length	12 3/4" (325mm)
Integral Boiler version (see page 100)	✓
Flue outlet	5" top
Choice of four colours	✓

* When fitted with a Smoke Control Kit.

Product Codes

Colour	Matt Black	Metallic Blue	Metallic Brown	Metallic Green
Flat top	ST7NMFFT1	ST7NMFFT1BL	ST7NMFFT1BR	ST7NMFFT1GR
Low canopy	ST7NMFLC1	ST7NMFLC1BL	ST7NMFLC1BR	ST7NMFLC1GR
Sparkguard	7227 all models			
Ash Caddy	4227 all models			
Smoke Control Kit	SZKIT7N all models			



Matt Black



Metallic Blue



Metallic Brown



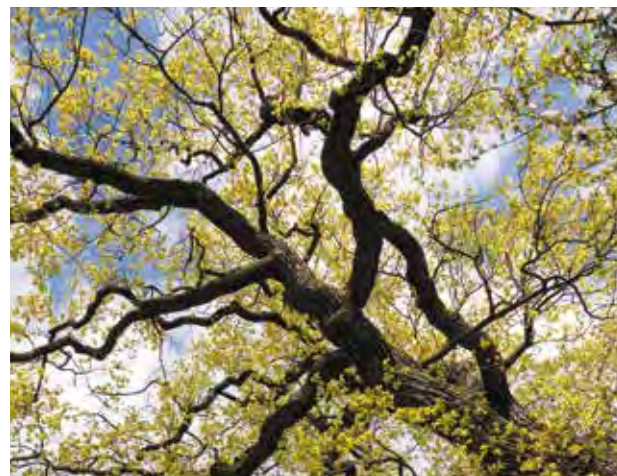
Metallic Green



Stockton 7 Inset Convector with canopy top, shown here in Matt Black burning logs.



This multi-fuel version of the low canopy, single door Stockton 8 is fitted with the optional multi-fuel kit. The stove is shown here in Matt Black burning smokeless fuel.



Stockton 8

The Stockton 8 offers you greater choice and more optional features than any other model. There is also a space-saving Slimline version (see page 53) which is 3" (75mm) shallower; this means that in many cases less building work will be required to install the stove as it could slot directly into your existing fireplace opening and, although smaller, will take logs up to 15¾" (400mm) long. Choose from a single or two door model, the latter of which is available with a handy cast iron tool (not shown) that locates over the keystone catch and then rotates to open or close the doors. To complete its versatility, the Stockton 8 is also offered with an integral boiler which produces up to 34,000 BTUs of hot water; for more information about our boiler stoves please see pages 78 - 81.

Key Facts	Standard	Slimline
High efficiency	up to 81 %	
Wood	✓	✓
Multi-fuel kit	✓ riddling	✓ non riddling
Multi-fuel (with external riddling)	✓	✗
Cleanburn	✓	✓
Airwash	✓	✓
Flat top version	✓	✓
Low and high canopy versions	✓	✗
Single door version	✓	✗
Two door version	✓	✓
Integral boiler version (see pages 66-69)	✓	✗
Clip-in boiler option (for outputs see page 87)	✓	✗
Maximum heat output	8kW	7kW
Maximum log length	15 3/4" (400mm)	15 3/4" (400mm)
Flue outlet	6" top or rear	6" top or rear
Choice of four colours	✓	✓







Standard



Slimline

The Stockton 8 Slimline is 3" (75mm) less in depth.



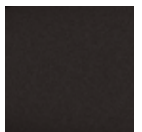
Stockton 8

Product Codes - Standard version

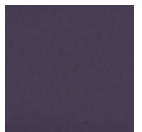
Colour	Matt Black	Metallic Blue	Metallic Brown	Metallic Green
Wood - flat top, single door	ST8W1	ST8W1BL	ST8W1BR	ST8W1GR
Wood - low canopy, single door	ST8WLC1	ST8WLC1BL	ST8WLC1BR	ST8WLC1GR
Wood - high canopy, single door	ST8WHC1	ST8WHC1BL	ST8WHC1BR	ST8WHC1GR
Wood - flat top, two door [†]	ST8W2	ST8W2BL	ST8W2BR	ST8W2GR
Wood - low canopy, two door [†]	ST8WLC2	ST8WLC2BL	ST8WLC2BR	ST8WLC2GR
Wood - high canopy, two door [†]	ST8WHC2	ST8WHC2BL	ST8WHC2BR	ST8WHC2GR
Multi-fuel kit	MFKIT8 all models			
Multi-fuel - flat top, two door	ST8MF2	ST8MF2BL	ST8MF2BR	ST8MF2GR
Wood kit	WDKIT8 all models			
Clip-in boiler	7208 all models			
Sparkguard	7228 all models			
Ash Caddy	4228 all models			

Product Codes - Slimline version

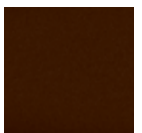
Colour	Matt Black	Metallic Blue	Metallic Brown	Metallic Green
Wood - flat top, two door [†]	ST8SLW2	ST8SLW2BL	ST8SLW2BR	ST8SLW2GR
Multi-fuel kit	MFKIT8SL all models			
Sparkguard	7228 all models			
Ash Caddy	4228 all models			



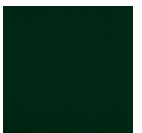
Matt Black



Metallic Blue



Metallic Brown



Metallic Green

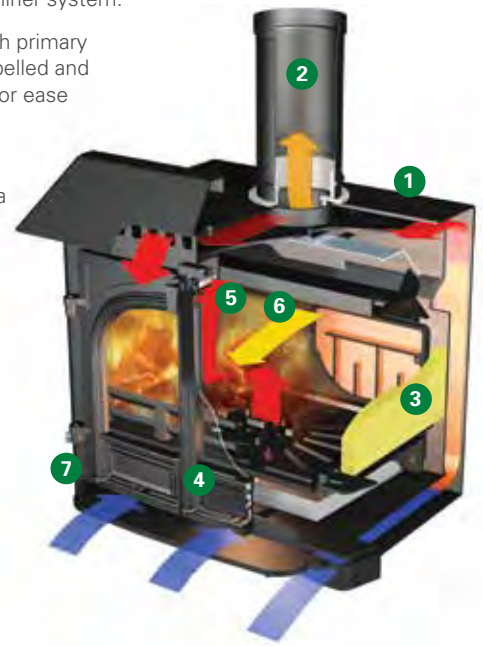
[†] Two door version - UK Registered Design Application No. 3001055.



Stockton 8 Inset Convector with flat top, shown here in Matt Black burning logs. Pembroke surround also by Stovax.

Design Features

- 1 5mm heavy duty steel body.
- 2 Easy fit flue connection through stove.
- 3 Vermiculite, thermal brick liner system.
- 4 Cast iron air-tight door with primary air control lever, clearly labelled and with a smooth trajectory for ease of use.
- 5 Airwash control lever and boost setting to maintain a cleaner glass window.
- 6 Heated air jets from Cleanburn ports burn hydrocarbons in smoke.
- 7 External riddling lever.



Stockton 8 Inset Convector

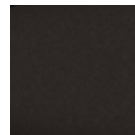
Not only will this convector fireplace provide impressive heating capacity compared to a standard open fireplace but it also offers you most of the benefits of our freestanding Stockton 8 Stoves. The Stockton 8 Inset is highly practical too. It has full multi-fuel capability with external riddling, double doors for easy loading/stoking and both Cleanburn and convection systems for greater heating efficiency, whilst the highly effective airwash facility ensures that you enjoy a clearer view of the fire.

Key Facts

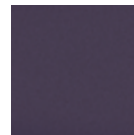
High efficiency	up to 84%
Multi-fuel (with external riddling)	✓
Cleanburn	✓
Airwash	✓
Radiant heat + convection systems	✓
Flat top and low canopy versions	✓
Maximum heat output	8kW
Maximum log length	15 3/4" (400mm)
Flue outlet	5" top
Choice of four colours	✓

Product Codes

Colour	Matt Black	Metallic Blue	Metallic Brown	Metallic Green
Flat top	ST8NMFFT2	ST8NMFFT2BL	ST8NMFFT2BR	ST8NMFFT2GR
Low canopy	ST8NMFLC2	ST8NMFLC2BL	ST8NMFLC2BR	ST8NMFLC2GR
Sparkguard	7228 all models			
Ash Caddy	4228 all models			



Matt Black



Metallic Blue



Metallic Brown



Metallic Green





Stockton 8 Inset Convector with canopy top, shown here in Matt Black burning logs.



Flat top, two door version of Stockton 11, shown here in Matt Black.

Stockton 11

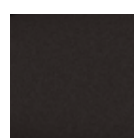
The larger sized Stockton 11 offers up to 11kW heat output and has a choice of flat top, low or high canopy, single or double door versions and four colour options. The Stockton 11 can look at home in a modern open plan house or equally in a large inglenook of a country cottage. Furthermore, the vast firebox is designed to accept logs up to 500mm long, so you do not need to load fuel so often!

Key Facts

High efficiency	up to 81 %
Multi-fuel (with internal riddling)	✓
Wood	✓
Cleanburn	✓
Airwash	✓
Flat top and low canopy versions	✓
Single and two door versions	✓
Maximum heat output	11kW
Maximum log length	19 1/2" (500mm)
Integral boiler option (see pages 78 - 81)	✓
Clip-in boiler option (see page 103)	✓
Flue outlet	6" top or rear
Choice of four colours	✓

Product Codes

Colour	Matt Black	Metallic Blue	Metallic Brown	Metallic Green
Wood - flat top, single door	ST11W1	ST11W1BL	ST11W1BR	ST11W1GR
Wood - low canopy, single door	ST11WLC1	ST11WLC1BL	ST11WLC1BR	ST11WLC1GR
Wood - high canopy, single door	ST11WHC1	ST11WHC1BL	ST11WHC1BR	ST11WHC1GR
Wood - flat top, two door	ST11W2	ST11W2BL	ST11W2BR	ST11W2GR
Wood - low canopy, two door	ST11WLC2	ST11WLC2BL	ST11WLC2BR	ST11WLC2GR
Wood - high canopy, two door	ST11WHC2	ST11WHC2BL	ST11WHC2BR	ST11WHC2GR
Multi-fuel kit	MFKIT11 all standard models			
Clip-in boiler	7211-2 all standard models			
Ash Caddy	7221 all models			
Sparkguard	4228 all models			



Matt Black



Metallic Blue



Metallic Brown



Metallic Green





Stockton 14 flat top in Matt Black.



Stockton 14

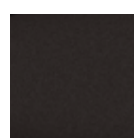
With an impressive 14kW heat output, this dedicated woodburner is the largest stove in the Stockton range and is particularly suitable for sizeable living rooms, substantial inglenooks and open-plan barn conversions. There is a choice of flat top and high canopy versions in all four colour options, providing you with the perfect combination for your home.

Key Facts

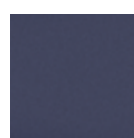
High efficiency	up to 73%
Wood	✓
Multi-fuel	✗
Cleanburn	✓
Airwash	✓
Flat top and high canopy versions	✓
Two door version	✓
Maximum heat output	14kW
Maximum log length	23 ⁵ / ₈ " (600mm)
Integral boiler option (see pages 78-81)	✓
Flue outlet	6" top or rear
Choice of four colours	✓

Product Codes

Colour	Matt Black	Metallic Blue	Metallic Brown	Metallic Green
Wood - flat top, two door	ST14W2	ST14W2BL	ST14W2BR	ST14W2GR
Wood - high canopy, two door	ST14WHC2	ST14WHC2BL	ST14WHC2BR	ST14WHC2GR
Ash Caddy	7221 all models			
Sparkguard	4228 all models			



Matt Black



Metallic Blue



Metallic Brown



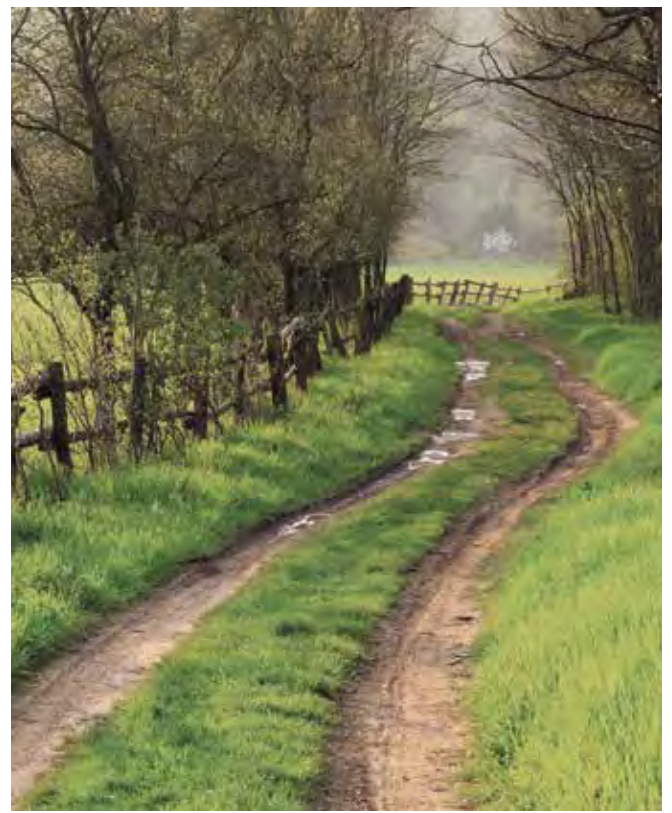
Metallic Green







Stockton 8 Double flat top in Matt Black burning logs.

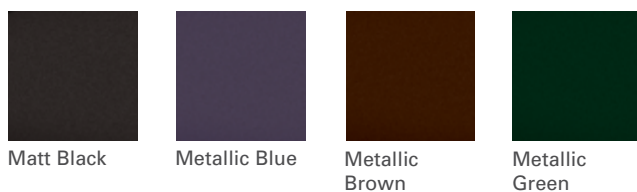


Stockton Double Sided

Enjoy twice the comfort and twice the view of your fire with a Stockton double sided stove. Using one central chimney, the doors to both the back and the front of the stove are designed to open into adjacent rooms. So, compared to individual stoves in each room, you have less work refuelling and even more of a focal point to your home.

There are two sizes of stove from which to choose – Stockton 8 Double and Stockton 11 Double. Although this double sided configuration does not allow the incorporation of full Cleanburn technology, both stoves still include an airwash system to keep the glass clean. The smaller Stockton 8 Double will provide you with a significant heat output, up to 9kW, whilst the Stockton 11 Double produces an even more powerful 11kW.

Key Facts	8 Double	11 Double	Product Codes				
High efficiency	up to 69%	up to 77%	Colour	Matt Black	Metallic Blue	Metallic Brown	Metallic Green
Multi-fuel kit	✓	✓	8 Double wood - flat top	ST8SDW2	ST8SDW2BL	ST8SDW2BR	ST8SDW2GR
Wood	✓	✓	8 Double wood - high canopy	ST8SDWHC2	ST8SDWHC2BL	ST8SDWHC2BR	ST8SDWHC2GR
Airwash	✓	✓	Multi-fuel kit	MFKIT8SD all models			
Maximum heat output	9kW	11kW	Sparkguard	7228 all models			
Maximum log length	15 ³ / ₄ " (400mm)	19 ³ / ₄ " (500mm)	11 Double wood - flat top	ST11SDW2	ST11SDW2BL	ST11SDW2BR	ST11SDW2GR
Boiler option	✗	✗	11 Double wood - high canopy	ST11SDWHC2	ST11SDWHC2BL	ST11SDWHC2BR	ST11SDWHC2GR
Flue outlet	6" top	6" top	Multi-fuel kit	MFKIT11SD all models			
Choice of four colours	✓	✓	Sparkguard	7221 all models			





Riva Plus Small Multi-fuel burning logs



Riva Plus Small

Compact yet powerful, this stove not only has the performance and fuel efficiency to heat your room or living space effectively, but also the versatility to match your decorative style.

Key Facts

High efficiency	up to 79%
Multi-fuel (with external riddling)	✓
Wood	✓
Approved for Smoke Control Areas*	RVP-SMM
Cleanburn	✓
Airwash	✓
Boost setting for lighting & re-fuelling	✓
Flat top version	✓
Low and high canopy versions	✓
Optional fan-assisted convection system	✓
Optional external air kit	✓
Maximum heat output	5.0kW
Maximum log length	10" (250mm)
Room vent not normally required**	✓
Boiler option	X
Flue outlet	5" top or rear

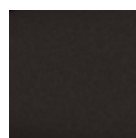
* Multi-fuel model only, when fitted with a Smoke Control Kit.

**For more information on room vents, please see page 90

Product Codes

Woodburner - flat top	RVP-SMW
Multi-fuel - flat top	RVP-SMM
External air kit	RVP0001 both models
Fan-assisted convection kit	RVP0006 both models
MF ¹ Smoke Control Kit	RVP-SMMSCKIT
Low Canopy	RVP-SMLC both models
High Canopy	RVP-SMHC both models

¹MF - Multi-fuel models



Matt Black



Riva Plus Small
Woodburning
with low canopy









Riva Plus Midi Multi-fuel burning logs

Riva Plus Midi

If you have a little more space available then the Riva Plus Midi will provide you with the extra heating capacity to make slightly larger rooms cosy throughout the winter.

Key Facts

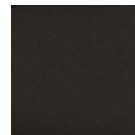
High efficiency	up to 72%
Multi-fuel (with external riddling)	✓
Wood	✓
Approved for Smoke Control Areas*	RVP-MDM
Cleanburn	✓
Airwash	✓
Boost setting for lighting & re-fuelling	✓
Flat top version	✓
Low and high canopy versions	✓
Optional fan-assisted convection system	✓
Optional external air kit	✓
Removable window crosses for 'clear door'	✓
Maximum heat output	6.5kW
Maximum log length	12" (300mm)
Boiler option	X
Flue outlet	5" top or rear

* Multi-fuel model only, when fitted with a Smoke Control Kit.

Product Codes

Woodburner - flat top	RVP-MDW
Multi-fuel - flat top	RVP-MDM
External air kit	RVP0002 both models
Fan-assisted convection kit	RVP0006 both models
MF ¹ Smoke Control Kit	RVP-MEMSCKIT
Low Canopy	RVP-MDLC both models
High Canopy	RVP-MDHC both models

¹MF - Multi-fuel models



Matt Black



Riva Plus Midi
Multi-fuel burning
logs with high canopy





Riva Plus Medium Woodburning
shown with removable window crosses



Riva Plus Medium

This versatile model is ideal for medium to larger sized rooms and is available in both wood and multi-fuel versions. There are also several options to suit your individual needs.

Key Facts

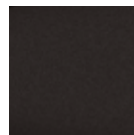
High efficiency	up to 71%
Multi-fuel (with external riddling)	✓
Wood	✓
Approved for Smoke Control Areas*	RVP-MEM
Cleanburn	✓
Airwash	✓
Boost setting for lighting & re-fuelling	✓
Flat top version	✓
Low and high canopy versions	✓
Optional fan-assisted convection system	✓
Optional external air kit	✓
Removable window crosses for 'clear door'	✓
Maximum heat output	8.0kW
Maximum log length	14" (350mm)
Boiler option	✗
Flue outlet	5" top or rear

* Multi-fuel model only, when fitted with a Smoke Control Kit.

Product Codes

Woodburner - flat top	RVP-MEW
Multi-fuel - flat top	RVP-MEM
External air kit	RVP0003 both models
Fan-assisted convection kit	RVP0009 both models
MF ¹ Smoke Control Kit	RVP-MEMSKIT
Low Canopy	RVP-MELC both models
High Canopy	RVP-MEHC both models

¹MF - Multi-fuel models



Matt Black



Riva Plus Medium
Woodburning with
low canopy









Riva Plus Large Multi-fuel burning logs with removable window crosses

Riva Plus Large

A big stove to make a big impact. Whether you are seeking significant heating potential, a magnificent focal point or have a large inglenook, this generously-proportioned stove can achieve all these aspirations.

Key Facts

High efficiency	up to 78%
Multi-fuel (with external riddling)	✓
Wood	✓
Cleanburn	✓
Airwash	✓
Boost setting for lighting & re-fuelling	✓
Flat top version	✓
Low and high canopy versions	✓
Optional fan-assisted convection system	✓
Optional external air kit	✓
Removable window crosses for 'clear door'	✓
Maximum heat output	11.0kW
Maximum log length	16" (400mm)
Boiler option	X
Flue outlet	6" top or rear

Product Codes

Woodburner - flat top	RVP-LAW
Multi-fuel - flat top	RVP-LAM
External air kit	RVP0004 both models
Fan-assisted convection kit	RVP0009 both models
Low Canopy	RVP-LALC both models
High Canopy	RVP-LAHC both models



Matt Black



Riva Plus Large Woodburning with high canopy and removable window crosses.



Also see image on page 107.



View 3 Multi-fuel burning logs, on stove bench 100 high.

View 3

Offering a more contemporary slant to our wide choice of steel stoves is the new View range. Although designed to be installed into a standard 22" (560mm) high x 16" (405mm) wide opening with the chair brick removed, it is just as attractive freestanding on a hearth or stove bench. This compact View 3 stove offers you multi-fuel capacity and high efficiency heating. The beauty of this stove can be further enhanced by adding the new high-gloss flue pipe; see page 88 for further details.

Key Facts

High efficiency	up to 86%
Multi-fuel (with external riddling)	✓
Approved for Smoke Control Areas*	✓
Cleanburn	✓
Airwash	✓
Ceramic glass top (optional)	✓
Integral ceramic glass plinth	✓
Maximum heat output	3.75kW
Maximum log length	7 7/8" (200mm)
Room vent not normally required**	✓
Boiler option	✗
Flue outlet	5" top or rear
Stove bench compatible	✓

* When fitted with a Smoke Control Kit.

**For more information on room vents, please see page 90

Product Codes

Multi-fuel	VW-3MF
Glass top plate (top flue exit)	VW-3GB
Glass top plate (rear flue exit)	VW-3GBR
Ash Caddy	4227
Smoke Control kit	VW-3SCKIT
Stove benches	See page 91



Jet Black
Metallic





View 5 Woodburning on stove bench 100 high shown with gloss black flue pipe.





View 5 Multi-fuel burning logs.

View 5

With its clean, crisp lines and modern styling, the View 5 offers a fresh alternative for today's interiors. It is available in two versions: woodburning only or multi-fuel. In addition, both versions can be enhanced by the optional glass top which provides even greater elegance for this versatile stove.

Key Facts

High efficiency	up to 85%
Multi-fuel (with external riddling)	✓
Wood	✓
Approved for Smoke Control Areas*	✓
Cleanburn	✓
Airwash	✓
Ceramic glass top (optional)	✓
Integral ceramic glass plinth	✓
Maximum heat output	4.9kW
Maximum log length	13" (330mm)
Room vent not normally required**	✓
Boiler option	X
Flue outlet	5" top or rear
Stove bench compatible	✓

* When fitted with a Smoke Control Kit.

**For more information on room vents, please see page 90

Product Codes

Wood	VW-5W
Multi-fuel	VW-5MF
Glass top plate (top flue exit)	VW-5GB
Glass top plate (rear flue exit)	VW-5GBR
Ash Caddy	4228
WB* Smoke Control Kit	VW-5SCKIT
MF* Smoke Control Kit	VW-5MFCKIT
Stove benches	See page 91

*MF – Multi-fuel model WB – Woodburning model



Jet Black
Metallic

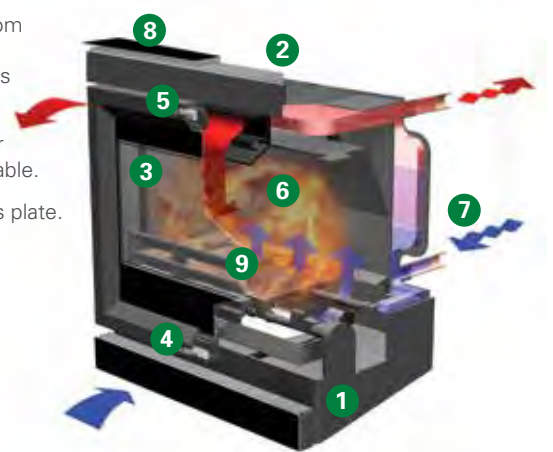




View 7 Inset Convector burning logs with optional glass top.

Design Features

- 1 5mm heavy duty steel body.
- 2 Easy fit flue connection through stove.
- 3 High density, thermal brick liner system.
- 4 Cast iron air-tight door with integrated primary air control slider.
- 5 Integrated Airwash control slider to maintain a cleaner glass window.
- 6 Heated air jets from Cleanburn ports burn hydrocarbons in smoke.
- 7 High output boiler version also available.
- 8 Optional top glass plate.
- 9 Riddling system.



View 7 Inset Convector

The contemporary View stoves range has been expanded to include an inset convector fireplace offering many of the heating advantages of a freestanding stove. Incorporating Stovax's exceptional Cleanburn and convection systems, the multi-fuel View 7 Inset Convector provides up to 4 times more heating efficiency than a standard open fire; giving greater combustion control, increased heat outputs and lower fuel costs. An integral boiler version is also available, producing up to 30,000 BTU's of hot water (see pages 82 - 83).

Key Facts

High efficiency	up to 87%
Multi-fuel	✓
Approved for Smoke Control Areas*	✓
Cleanburn	✓
Airwash	✓
Ceramic glass top (optional)	✓
Radiant heat + convection systems	✓
Maximum heat output	7kW
Maximum log length	12 3/4" (325mm)
Integral Boiler version (see page 82)	✓
Flue outlet	5" top

* When fitted with a Smoke Control Kit.

Product Codes

Multi-fuel	VW-7NMF
Glass top plate	VW-7NGB
MF* Smoke Control Kit	VW-7SCKIT

*MF – Multi-fuel model



Jet Black
Metallic



Community Design Application
Number 001202600



View 7 Inset Convector burning logs with optional glass top.
Also shown: Stovax Clarendon Limestone mantel.



View 8 Multi-fuel burning logs.



View 8

The largest of the View range, the View 8 is designed to provide high efficiency heating for contemporary homes as well as creating an outstanding focal point for your living space. Choose from either the woodburning only model or the multi-fuel version, the latter incorporating a riddling grate to allow you to burn smokeless fuels. An optional glass top is also available to complement the glass on the plinth beneath the stove. An integral boiler version is also available, producing up to 34,000 BTU's of hot water (see pages 82 - 83).

Key Facts

High efficiency	up to 81%
Multi-fuel (with external riddling)	✓
Wood	✓
Cleanburn	✓
Airwash	✓
Ceramic glass top (optional)	✓
Integral boiler version available (page 82)	✓
Integral ceramic glass plinth	✓
Maximum heat output	8.0kW
Maximum log length	15 ³ / ₄ " (400mm)
Flue outlet	6" top or rear
Stove bench compatible	✓

Product Codes

Wood	VW-8W
Multi-fuel	VW-8MF
Glass top plate (top flue exit)	VW-8GB
Glass top plate (rear flue exit)	VW-8GBR
Ash Caddy	4228
Stove benches	See page 91



Jet Black Metallic



View 8 Woodburning
on 120 low bench.





Stockton 7HB Inset Boiler Stove.



Stockton 11HB Multi-fuel Boiler Stove shown burning logs
When burning wood, the use of the optional tray is recommended.

High Output Boiler Stoves

Four models within the Stockton range, along with the View 7HBi and 8HB from the new contemporary View range, have been specifically designed to supply your domestic hot water and central heating requirements or augment your existing heating system via 'link up' technology. Whatever your choice, you will enjoy all the atmosphere of a real fire plus exceptional heating performance throughout your home.

When providing hot water and central heating, each stove is capable of feeding an average 8,000 BTU hot water cylinder and depending on the model, up to 19 radiators. The exact number of radiators will depend upon how many rooms you wish to heat and the sizes of those rooms. Radiators also come in a variety of sizes/capacities. For example, a typical 400mm high x 1000mm wide, single panel radiator requires 2500BTU/hr. You should always consult a qualified solid fuel heating engineer to ensure the stove can meet your requirements.

Alternatively, you can 'link up' a Stovax High Output Boiler with your existing or proposed heating system to reduce your reliance on gas or oil and help decrease overall heating fuel costs. There are ways to link with

conventional oil or gas central heating, gas or oil sealed heating systems, combi boilers, underfloor heating and even solar panels to provide flexible, cost-effective solutions. Stovax produces a 'link up' guide showing typical arrangements and covering some frequently asked questions. You may find it useful to download this from www.stovax.com/linkup before discussing your requirements with a qualified heating engineer.

Stovax HB boiler stoves are designed for multi-fuel use and incorporate a riddling grate. This is because smokeless fuels tend to provide greater calorific values. However, should you wish to reduce your CO₂ emissions then you can also burn a combination of smokeless fuels and logs together. Should you prefer to burn wood only, you can still achieve good performance but, as logs burn best with slightly different firebox characteristics, we recommend you purchase the optional log tray or the new dedicated woodburning only models for the Stockton 11HB and 14HB.



Stockton 8HB Boiler Stove. When burning wood, the use of the optional tray is recommended.







Stockton 8HB Multi-fuel boiler shown

Stockton Boiler Stoves Design Features

- 1 5mm and 10mm heavy duty steel body
- 2 Excellent heat output to water when burning solid fuels or wood
- 3 4 x 1" BSP boiler tappings for flexible, efficient connection to your hot water circuits
- 4 Extensive water jacket on 4 sides for maximum transmission of heat to water
- 5 Highly developed boiler flue baffle system ensures maximum heating efficiency
- 6 Top or rear flue exit (7HBi top exit only)
- 7 Specially designed reciprocating grate ensures effective removal of ashes*
- 8 Large ash collection tray
- 9 Discreet external riddling socket with removable tool*
- 10 Unique heated air jets from cleanburn ports burn hydrocarbons in smoke. (UK Patent Application GB2495920)
- 11 Levelling system in each foot to ensure stability on uneven surfaces
- 12 Primary air controls to manually adjust the running temperatures
- 13 Airwash system with boost setting to help keep glass clear and controls the running temperature when burning logs
- 14 Thermostatic control to maintain desired running temperatures
- 15 Optional woodburning tray for multi-fuel models (not illustrated)

* Multi-fuel models only.

Stockton Boiler Stoves

Stockton Boiler Stoves Key Facts	7HBi	8HB	11HB	14HB
Multi-fuel with external riddling	✓	✓	✓	✓
Dedicated woodburning version	X	X	✓	✓
Airwash System	✓	✓	✓	✓
Unique Cleanburn System (UK Patent Application GB2495920)	✓	✓	✓	✓
CE Approved	✓	✓	✓	✓
Nominal heat output to room	4.0kW	4.9kW	7.0kW	7.0kW
Nominal heat output to boiler	7.4kW	8.2kW	11.0kW	15.0kW
Maximum system rating	8.8kW (30,000BTU)	10kW (34,000BTU)	13kW (45,000BTU)	18kW (62,000BTU)
Radiator capabilities - example No. of 2500BTU radiators + 8000BTU cylinder	8 radiators	9 radiators	15 radiators	19 radiators
Maximum log length	12 ^{3/4} " (325mm)	15 ^{3/4} " (400mm)	19 ^{1/2} " (500mm)	23 ^{1/2} " (600mm)
Optional log tray	✓	✓	✓	✓
Flue outlet	5" top	6" top or rear	6" top or rear	6" top or rear
Choice of four colours	✓	✓	✓	✓
Thermostatic Control	✓	✓	✓	✓

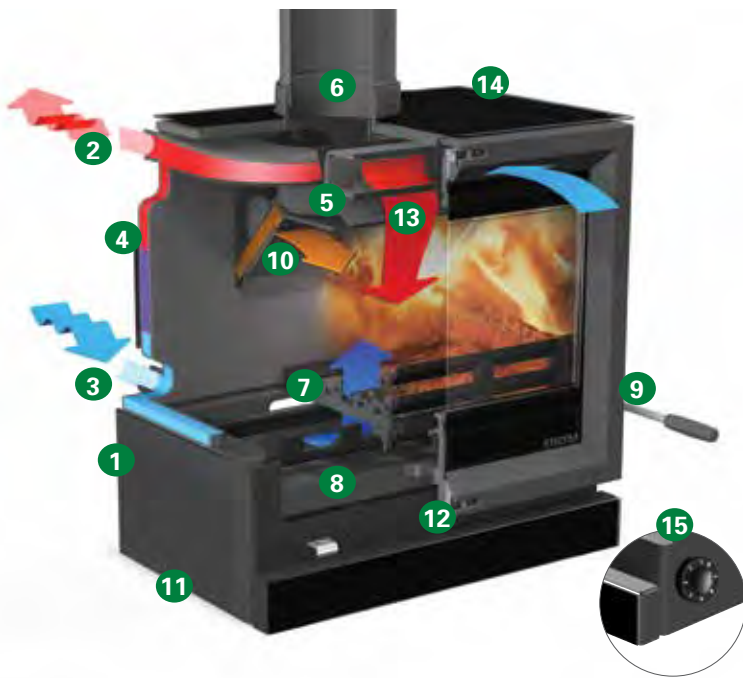
Product Codes

Colour	Matt Black	Metallic Blue	Metallic Brown	Metallic Green
7HB - Inset multi-fuel with low canopy	7125HB	7125HBBL	7125HBBR	7125HBGR
8HB - Multi-fuel with flat top	ST8HBMF2	ST8HBMF2BL	ST8HBMF2BR	ST8HBMF2GR
11HB - Multi-fuel with flat top	ST11HBMF2	ST11HBMF2BL	ST11HBMF2BR	ST11HBMF2GR
11HB - Woodburning with flat top	ST11HBW2	ST11HBW2BL	ST11HBW2BR	ST11HBW2GR
14HB - Multi-fuel with flat top	ST14HBMF2	ST14HBMF2BL	ST14HBMF2BR	ST14HBMF2GR
14HB - Woodburning with flat top	ST14HBW2	ST14HBW2BL	ST14HBW2BR	ST14HBW2GR
Thermostat - 7HB Inset		STATIN suitable for all colour options		
Thermostat - 8HB, 11HB & 14HB		STATST suitable for all colour options		
Woodburning tray 7HB Inset - Multi-fuel		7125WT suitable for all colour options		
Woodburning tray 8HB - Multi-fuel		8HBWT suitable for all colour options		
Woodburning tray 11HB - Multi-fuel		11HBWT suitable for all colour options		
Woodburning tray 14HB - Multi-fuel		14HBWT suitable for all colour options		



View Boiler Stove Key Facts	7HBi	8HB
Multi-fuel with external riddling	✓	✓
Airwash	✓	✓
Unique Cleanburn System (UK Patent Application GB2495920)	✓	✓
CE Approved	✓	✓
Nominal heat output to room	4.0kW	4.9kW
Nominal heat output to boiler	7.4kW	8.2kW
Maximum system rating	8.8kW (30,000BTU)	10.0kW (34,000BTU)
Radiator capabilities <i>example: Number of 2500BTU radiators + 8000BTU cylinder</i>	8 Radiators	9 Radiators
Maximum log length	12 3/4" (325mm)	15 3/4" (400mm)
Optional log tray	✓	✓
Flue outlet	5" Top	6" Top & Rear
Optional Ceramic glass top	✓	✓
Integral ceramic glass plinth	✓	✓
Thermostatic Control	✓	✓
Stove bench compatible	X	✓

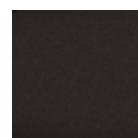
View Boiler Stoves



View Boiler Stove Design Features

- 5mm and 8mm heavy duty steel body.
- Excellent heat output to water when burning solid fuels or wood.
- 4 x 1" BSP boiler tappings for flexible efficient connection to your hot water circuits.
- Extensive water jacket on 4 sides of stove to ensure maximum transmission of heat to water.
- Highly developed boiler flue baffle system to ensure maximum heating efficiency.
- Top or rear flue exit.
- Specially designed reciprocating grate ensures effective removal of ash from the fuel bed.
- Large ash collection tray.
- Discreet external riddling socket, with removable tool.
- Unique heated air jets from cleanburn ports burn hydrocarbons in smoke (UK Patent Application GB2495920)
- Levelling system to ensure complete stability on uneven surfaces.
- Primary air controls to manually adjust the running temperatures.
- Airwash system with boost setting helps to keep the glass clear and controls the running temperature when burning wood.
- Optional glass top plates in top & rear flue.
- Thermostatic control to maintain desired running temperatures.
- Optional woodburning tray (not illustrated).
- Stainless steel door handle, with self-locking function (not illustrated).

Product	Code
View 7HBi	VW-7NHBMF1
View 8HB	VW-8HBMF1
Thermostat - 7HBi	STATIN
Thermostat - 8HB	STATST
Woodburning tray - 7HBi	7NHBWT
Woodburning tray - 8HB	8HBWT
Stove benches	See page 91



Jet Black
Metallic

View 8HB Boiler stove. When burning wood the use of the optional wood tray is recommended.





Riva Vision Medium
Woodburning

Riva Vision & Freestanding

Stovax also offer another range of contemporary woodburning and solid-fuel stoves, perfect for the most modern of interiors.

The Riva™ Vision and Freestanding stoves have been designed to create a striking centrepiece at the very heart of your home. Be inspired by their contemporary designs, impressed by their high levels of heating efficiency and admire their ease of control. Then simply relax in front of a real fire.

Stovax Riva™ Stoves all feature the latest cleanburn combustion systems, allowing them to burn logs or solid fuels with outstanding efficiency, resulting in more heat delivery into the room and less going up the chimney.

For further information or to request a brochure, simply contact your local retailer. Alternatively you can visit www.stovax.com to view the brochure online.



Riva Wood and Multi-fuel Cassette Fires and Stoves

For further information or to request a brochure, simply contact your local retailer. Alternatively you can visit www.stovax.com or scan this QR code to view the brochure online.





Riva F40 Freestanding in Jet Black Metallic with Riva 100 High Bench



Riva Vision Small Multi-fuel



Riva F40 Avanti Midi in Jet Black Metallic



Riva F76 Freestanding in Storm Grey Metallic



Electric Huntingdon 30



Electric Marlborough

Electric Stoves



Several of the stoves in this brochure are also available as electric versions. Simply plug in and switch on for that 'real fire' look, brought alive with unique VeriFlame™ technology which provides a combination of flame speed and glow level. The individually hand-painted 'logs' perfectly mirror the atmosphere and attraction of a real woodburning stove.

Operation is simple too as the stove's remote control not only allows VeriFlame™ selection but also adjustment of the heat combinations. The amount of heat produced can be altered between 1kW and 2kW depending on the warmth required. You can even enjoy the flames without heat!

For more details, please see the latest 'Electric Fires & Stoves' brochure which features an exciting range of both traditional and contemporary electric fires and stoves. The brochure is available from our sister company, Gazco, and can be requested from your retailer. Alternatively, you can view or download the complete range online by visiting www.gazco.com or scanning this QR code with your mobile device.



Riva Vision Midi Electric



Gas Stoves

Gazco additionally offer a wide selection of traditional and modern gas stoves. Please ask your retailer for details. Alternatively, scan this QR code or visit www.gazco.com to view or download the complete range.





Electric Ashdon



Electric Steel Manhattan



Electric Clarendon



Electric Stockton 5



Flue Pipe

Matching Matt Black and Coloured Enamel Flue Pipe

For the fully colour co-ordinated installation of your Brunel or Huntingdon stove and optimum performance, we offer high quality matt black, gloss black and coloured enamel flue pipes. Brunel 1A, Brunel 2CB, Huntingdon 25 and Huntingdon 28 connect to a 5" flue pipe, while the Brunel 3CB, Huntingdon 30, Huntingdon 35 and Huntingdon 40 connects to a 6" flue pipe. All components are listed in the table.

For Regency and Sheraton flue pipe, please refer to pages 94 - 95.

For View flue pipe, please refer to pages 96 - 97.

For Stockton flue pipe, please refer to pages 98 - 104.

For Riva Plus flue pipe, please refer to pages 104 - 105.

Owing to different production processes, we cannot guarantee a perfect match between pipe and stove.

Matt Black Enamel **Midnight Blue Enamel** **Laurel Green Enamel** **Ivory Enamel**

5" diameter

1' straight with door	4504	4504MBL	4504LG	4504IV
2' straight with door	4505	4505MBL	4505LG	4505IV
3' straight with door	4506	4506MBL	4506LG	4506IV
1' straight without door	4500	4500MBL	4500LG	4500IV
2' straight without door	4501	4501MBL	4501LG	4501IV
3' straight without door	4502	4502MBL	4502LG	4502IV
3' 7" straight without door	4545	-	-	-
1' 3" - 2' 1" (telescopic)	4542	4542MBL	4542LG	-
3' 4" - 4' 6" (telescopic)	4540	4540MBL	4540LG	-
Tee piece with end cap	4516	4516MBL	4516LG	4516IV
135° bend with door	4512	-	-	-
110° bend with door	4513	-	-	-
90° bend with door	4514	-	-	-
150° bend with door	4522	-	-	-
135° bend without door	4537	4537MBL	4537LG	4537IV
150° bend without door	4538	-	-	-

6" diameter

1' straight with door	4604	4604MBL	4604LG	4604IV
2' straight with door	4605	4605MBL	4605LG	4605IV
3' straight with door	4606	4606MBL	4606LG	4606IV
1' straight without door	4600	4600MBL	4600LG	4600IV
2' straight without door	4601	4601MBL	4601LG	4601IV
3' straight without door	4602	4602MBL	4602LG	4602IV
3' 7" straight without door	4645	-	-	-
1' 3" - 2' 1" (telescopic)	4642	4642MBL	4642LG	-
3' 4" - 4' 6" (telescopic)	4640	4640MBL	4640LG	-
Tee piece with end cap	4616	4616MBL	4616LG	4616IV
135° bend with door	4612	-	-	-
110° bend with door	4613	-	-	-
90° bend with door	4614	-	-	-
150° bend with door	4622	-	-	-
135° bend without door	4637	4637MBL	4637LG	4637IV
150° bend without door	4638	-	-	-

Gloss Black Enamel Flue Pipe

Product Code

5" diameter, 1' straight no door	4500GB
5" diameter, 2' straight no door	4501GB
5" diameter, 3' straight no door	4502GB
5" diameter, 135° bend with door	4512GB
5" diameter, 135° bend without door	4537GB
5" diameter, 90° tee piece with endcap	4516GB
6" diameter, 1' straight no door	4600GB
6" diameter, 2' straight no door	4601GB
6" diameter, 3' straight no door	4602GB
6" diameter, 135° bend with door	4612GB
6" diameter, 135° bend without door	4637GB
6" diameter, 90° tee piece with endcap	4616GB

Multi-fuel version of Stockton 6
in Matt Black burning logs.





Accessories, stove care and important technical information

Care of Your Stove

To help you get the best performance from your stove and keep it in good condition, inside and out, Stovax offers a wide range of cleaning and maintenance products. Stovax also supplies a wide variety of fireplace accessories. Your Stovax retailer will be able to give you full details or you may view the complete range at www.stovax.com.



Matt Ivory Stove Paint

Brunel and Huntingdon models, with the Matt Ivory paint colour option, require special attention when cleaning as they have been coated in a high quality paint finish that should give many years of service. However, this colour will mark more easily and require more cleaning than other models. Take care when touching the stove to avoid wiping ash and soot into the paint. Most marks can be removed using a mild soap solution and a clean lint free cloth. The finish can also be refreshed using the aerosol touch up paint (product code 2055) available from your Stovax retailer.

Allow your stove to cool thoroughly before any maintenance or cleaning is undertaken to avoid the risk of burns.

Product Improvement and Warranty

Stovax pursue a policy of constant product improvement. Products supplied may therefore differ in specification from those illustrated or described in this brochure, and you should always check the final specification with your Stovax retailer.

Your Stovax Expert Retailer will provide you with a Five Year Extended Warranty for your new solid fuel stove, provided your stove has been registered with Stovax. Please note, this warranty excludes certain consumable parts and is dependant on your appliance being serviced by an appropriately qualified person 12 months after installation and annually thereafter. Stoves purchased outside of Stovax's Expert Retailer Network will carry a standard 1 Year Warranty.

Full details of this warranty is set out to view on our website at www.stovax.com.

Important Safety & Technical Information

We recommend that a HETAS approved installer should undertake a site survey prior to purchase and it is a requirement that any Stovax Stove should be installed by an appropriately qualified HETAS approved installer.

All fires and stoves consume air as they burn. To comply with Building Regulations (Document J) you may need to install a fixed air vent to ensure adequate ventilation. A room vent is not normally required when the air permeability is greater than 5.0m³/hr/m². Your Stovax retailer or HETAS installer will be able to advise on this. Furthermore, by law all installations also require a Carbon Monoxide monitor (such as product code 3045 available from Stovax).

You can also download detailed installation instructions prior to purchase from www.stovax.com.

Please note that all parts of these stoves, particularly the glass panel in the door, become extremely hot during operation and can result in serious injury and burns if touched. It is therefore recommended that a fireguard complying with BS 8423:2002 is used in the presence of young children, the elderly or infirm.



Stove Benches

These versatile steel benches are compatible with the freestanding contemporary View stoves. With five widths and two heights, they offer infinitely greater design possibilities to accommodate your individual styling requirements. You can even use the space beneath for log storage!^Δ

Design Features

- Sturdy steel construction
- Choice of 5 widths and 2 heights
- Durable matt black finish
- High: 450/1000/1200/1400/1800 x 350 x 420/465*mm (wxhxd)
- Low: 450/1000/1200/1400/1800 x 250 x 420/465*mm (wxhxd)
- Proportioned 60mm wide legs
- Allows for central or offset stove positioning

Key Facts

	Low	High
Stove Bench 45 [†]	RVACLB45B	RVACB45B
Stove Bench 100	RVACLB100B	RVACB100B
Stove Bench 120	RVACLB120B	RVACB120B
Stove Bench 140	RVACLB140B	RVACB140B
Stove Bench 180	RVACLB180B	RVACB180B

[†] Suitable for View 3 & 5 only.

^Δ Logs are not to be stored directly beneath the stove position.

* A depth of 465mm applies to the 180 bench only.



Dimensions and Flue Pipe

The flue pipe connects your stove to the existing/new chimney system. The chimney system must meet the requirements of Building Regulations (Document J) and the stove fitted in accordance with the detailed installation instructions provided with each unit. You may also download these instructions prior to purchase from www.stovax.com.

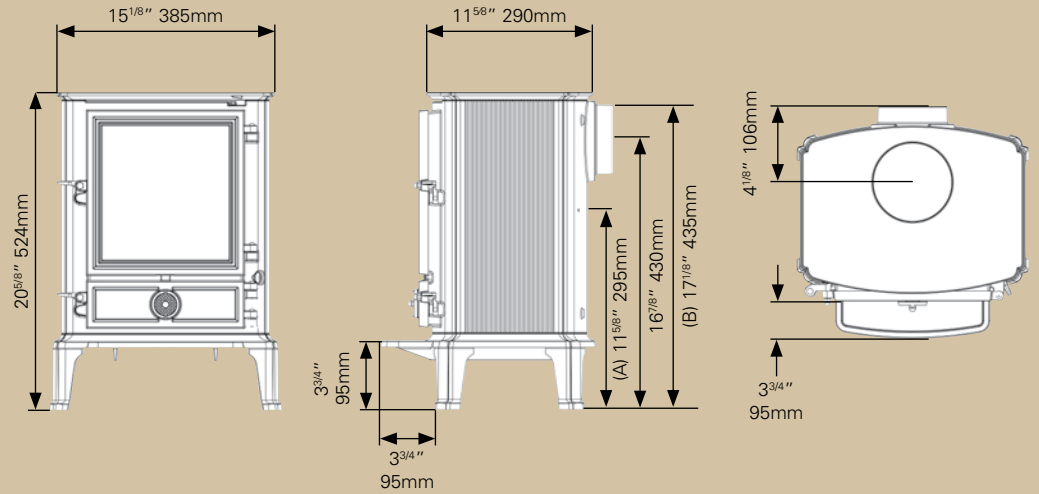
Brunel 1A

Weight: 62kg

Connects with 5" flue pipe using:

Size	With door	Without door
1' straight	4504	4500
2' straight	4505	4501
3' straight	4506	4502
3' 7" straight		4545
1' 3" – 2' 1" (telescopic)		4542
3' 4" – 4' 6" (telescopic)		4540
Tee piece with end cap		4516

For coloured enamel flue pipe see page 88.



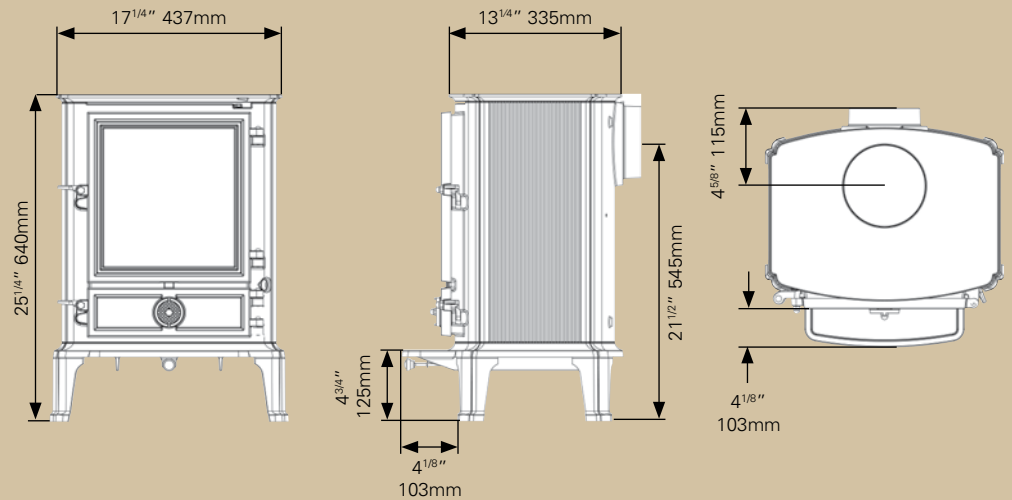
Brunel 2CB

Weight: 90kg

Connects with 5" flue pipe using:

Size	With door	Without door
1' straight	4504	4500
2' straight	4505	4501
3' straight	4506	4502
3' 7" straight		4545
1' 3" – 2' 1" (telescopic)		4542
3' 4" – 4' 6" (telescopic)		4540
Tee piece with end cap		4516

For coloured enamel flue pipe codes see page 88.



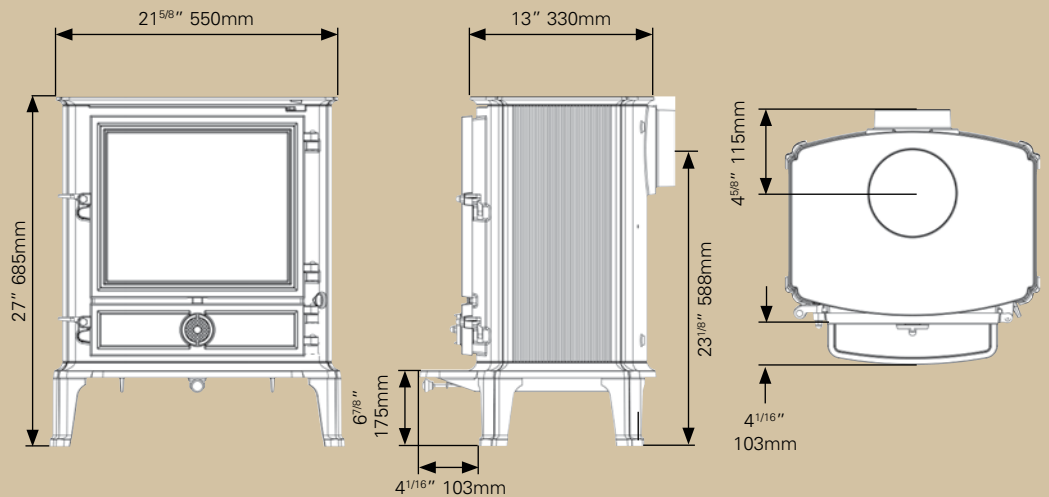
Brunel 3CB

Weight: 120kg

Connects with 6" flue pipe using:

Size	With door	Without door
1' straight	4604	4600
2' straight	4605	4601
3' straight	4606	4602
3' 7" straight		4645
1' 3" – 2' 1" (telescopic)		4642
3' 4" – 4' 6" (telescopic)		4640
Tee piece with end cap		4616

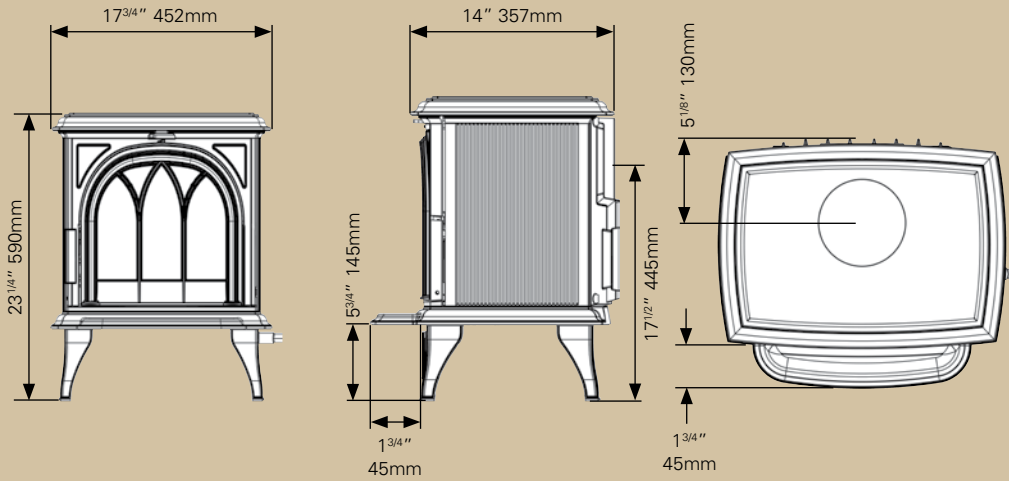
For coloured enamel flue pipe codes see page 88.



The information on these pages is to assist you in your choice of a suitable Stovax stove. This is not intended to be all the information required for installation. This information, along with minimum distances to combustible materials, can be obtained from your local Stovax retailer or you can download the full installation instructions from the website at www.stovax.com.

Weight: 98kg

Huntingdon 25



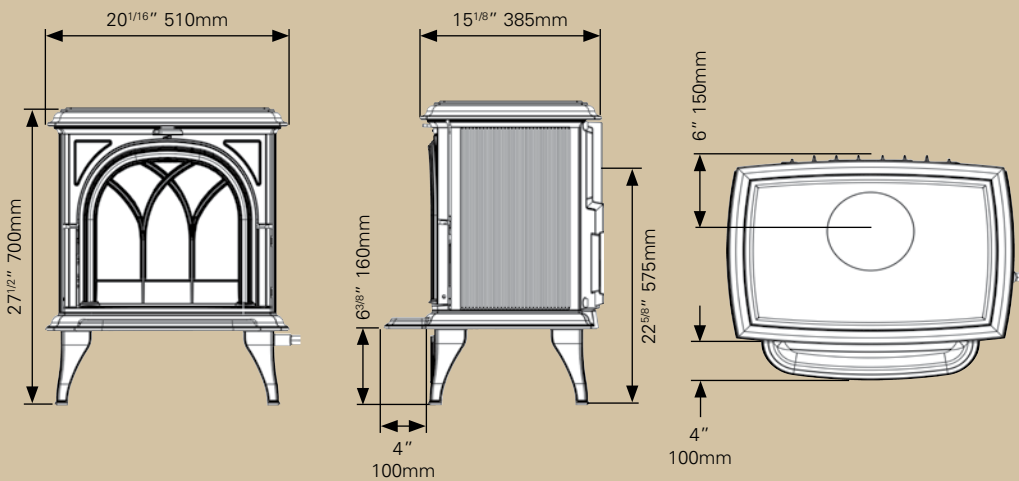
Connects with 5" flue pipe using:

Size	With door	Without door
1' straight	4504	4500
2' straight	4505	4501
3' straight	4506	4502
3' 7" straight		4545
1' 3" – 2' 1" (telescopic)		4542
3' 4" – 4' 6" (telescopic)		4540
Tee piece with end cap		4516

For coloured enamel flue pipe codes see page 88.

Weight: 136kg

Huntingdon 28



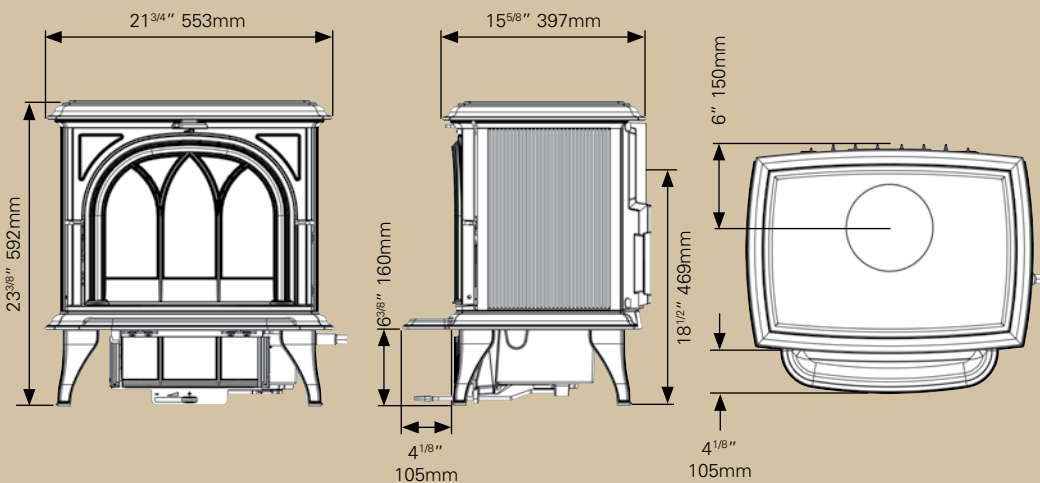
Connects with 5" flue pipe using:

Size	With door	Without door
1' straight	4504	4500
2' straight	4505	4501
3' straight	4506	4502
3' 7" straight		4545
1' 3" – 2' 1" (telescopic)		4542
3' 4" – 4' 6" (telescopic)		4540
Tee piece with end cap		4516

For coloured enamel flue pipe codes see page 88.

Weight: 160kg

Huntingdon 30



Connects with 6" flue pipe using:

Size	With door	Without door
1' straight	4604	4600
2' straight	4605	4601
3' straight	4606	4602
3' 7" straight		4645
1' 3" – 2' 1" (telescopic)		4642
3' 4" – 4' 6" (telescopic)		4640
Tee piece with end cap		4616

For coloured enamel flue pipe codes see page 88.

Dimensions and Flue Pipe

The flue pipe connects your stove to the existing/new chimney system. The chimney system must meet the requirements of Building Regulations (Document J) and the stove fitted in accordance with the detailed installation instructions provided with each unit. You may also download these instructions prior to purchase from www.stovax.com.

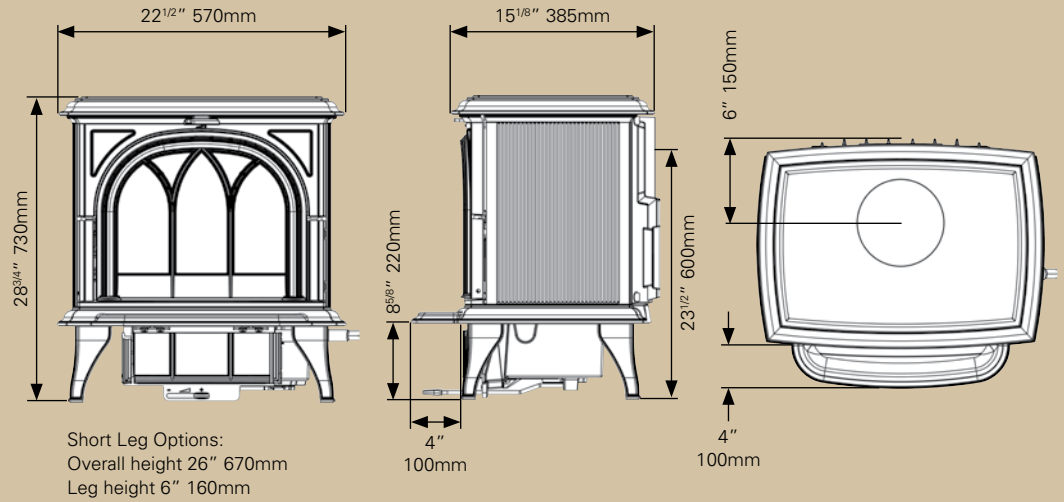
Huntingdon 35

Weight: 175kg

Connects with 6" flue pipe using:

Size	With door	Without door
1' straight	4604	4600
2' straight	4605	4601
3' straight	4606	4602
3' 7" straight		4645
1' 3" – 2' 1" (telescopic)		4642
3' 4" – 4' 6" (telescopic)		4640
Tee piece with end cap		4616

For coloured enamel flue pipe codes see page 88.



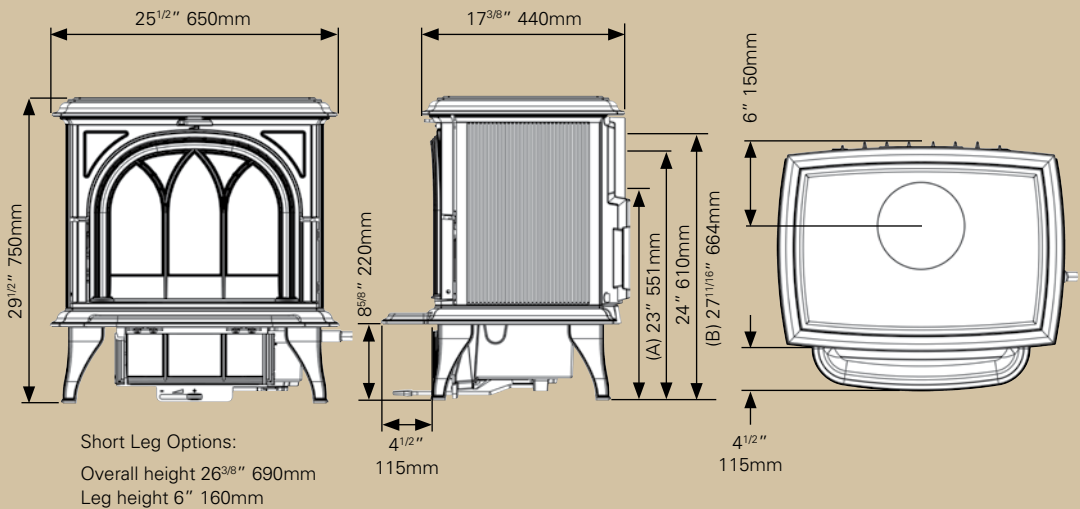
Huntingdon 40

Weight: 180kg

Connects with 6" flue pipe using:

Size	With door	Without door
1' straight	4604	4600
2' straight	4605	4601
3' straight	4606	4602
3' 7" straight		4645
1' 3" – 2' 1" (telescopic)		4642
3' 4" – 4' 6" (telescopic)		4640
Tee piece with end cap		4616



For coloured enamel flue pipe see page 88.

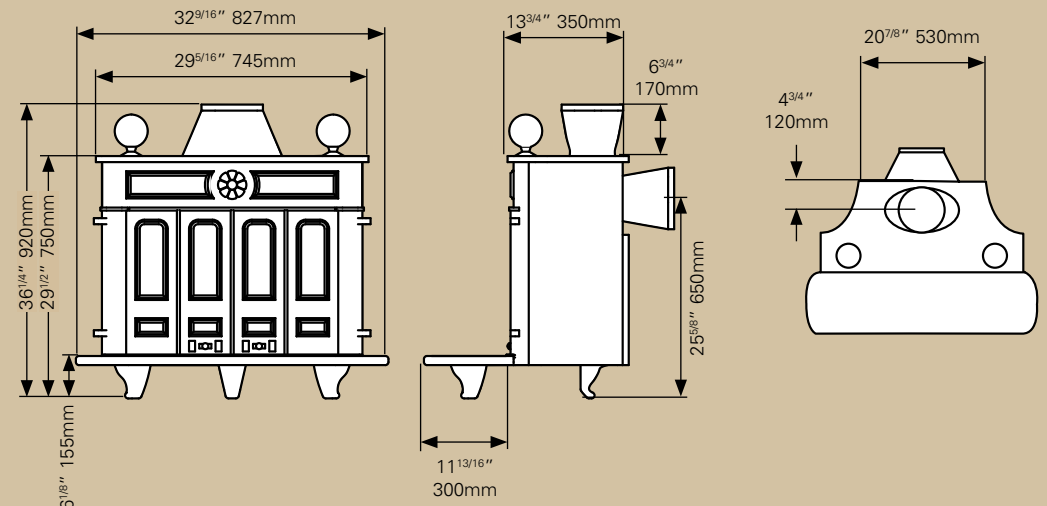


Regency Small

Weight: 114kg

Connects with 8" flue pipe using:

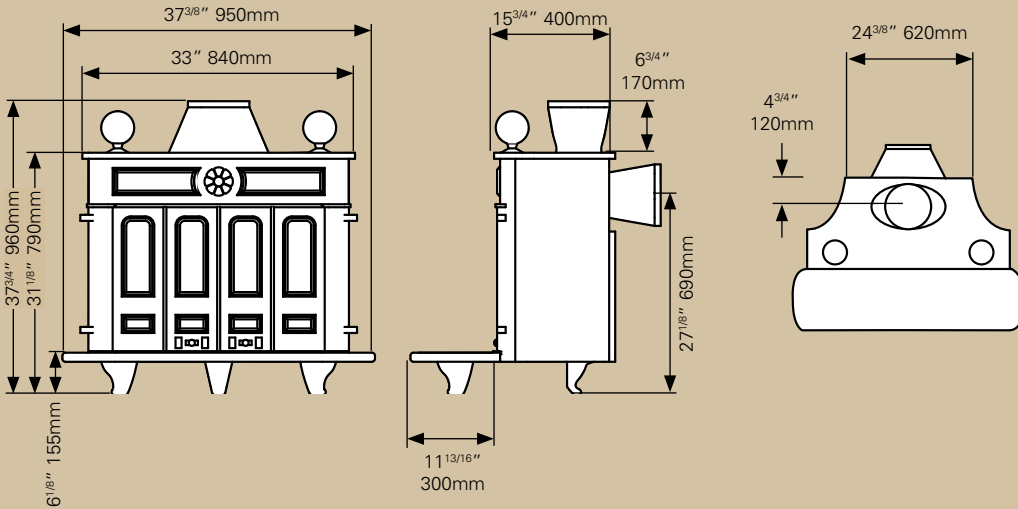
	Straight Double Socket
1': 4808	
2': 4809	
3': 4810	
	Double Tee Piece with end cap
4817	



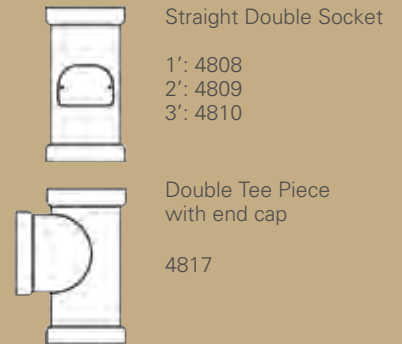
The information on these pages is to assist you in your choice of a suitable Stovax stove. This is not intended to be all the information required for installation. This information, along with minimum distances to combustible materials, can be obtained from your local Stovax retailer or you can download the full installation instructions from the website at www.stovax.com.

Weight: 136kg

Regency Medium

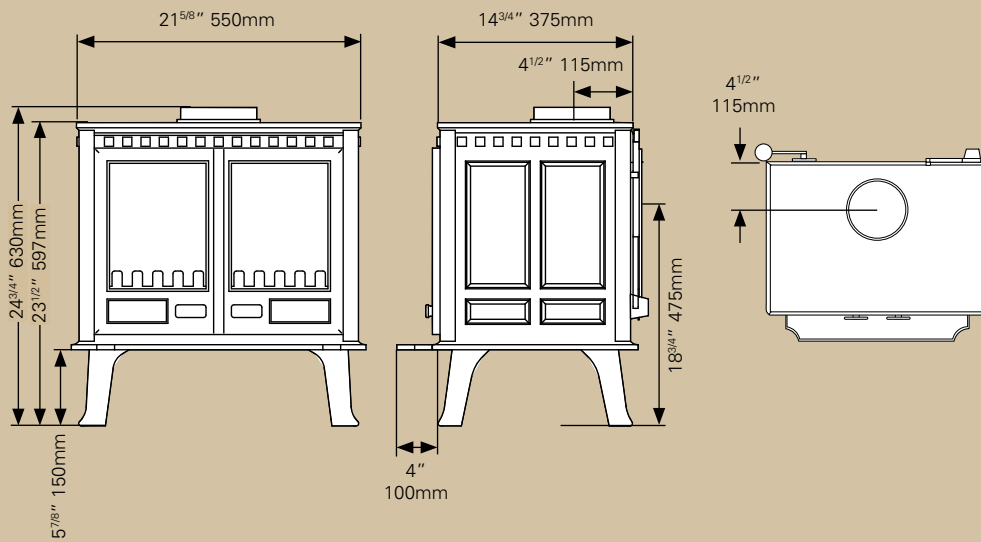


Connects with 8" flue pipe using:



Weight: 100kg

Sheraton



Connects with 6" flue pipe using:

Size	With door	Without door
1' straight	4604	4600
2' straight	4605	4601
3' straight	4606	4602
3' 7" straight		4645
1' 3" - 2' 1" (telescopic)		4642
3' 4" - 4' 6" (telescopic)		4640
Tee piece with end cap		4616

Dimensions and Flue Pipe

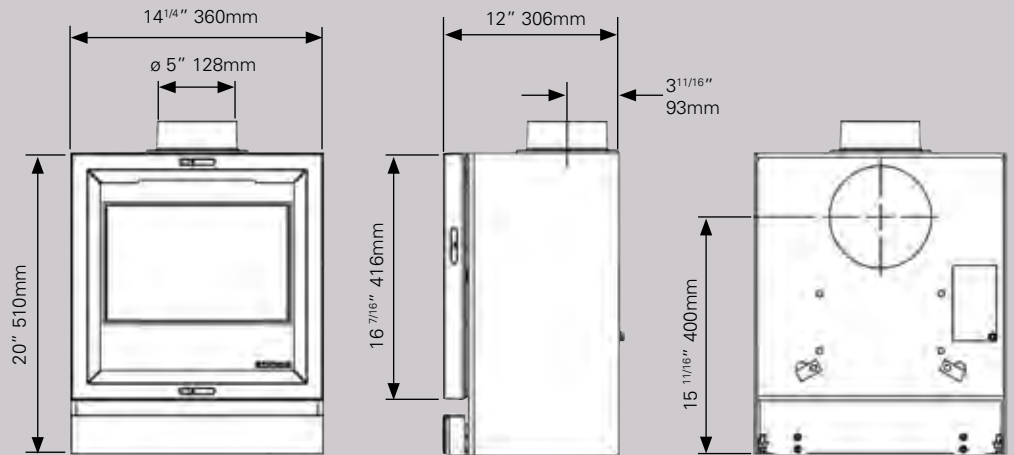
The flue pipe connects your stove to the existing/new chimney system. The chimney system must meet the requirements of Building Regulations (Document J) and the stove fitted in accordance with the detailed installation instructions provided with each unit. You may also download these instructions prior to purchase from www.stovax.com.

View 3

Weight: 76kg

Connects with 5" flue pipe using:

Size	With door	Without door
1' straight	4504	4500
2' straight	4505	4501
3' straight	4506	4502
3' 7" straight		4545
1' 3" – 2' 1" (telescopic)		4542
3' 4" – 4' 6" (telescopic)		4540
Tee piece with end cap		4516

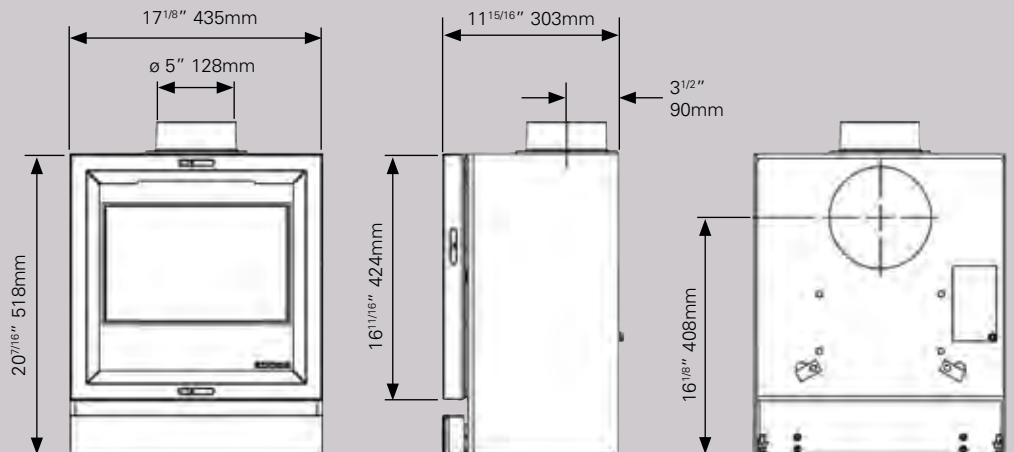


View 5

Weight: 120kg

Connects with 5" flue pipe using:

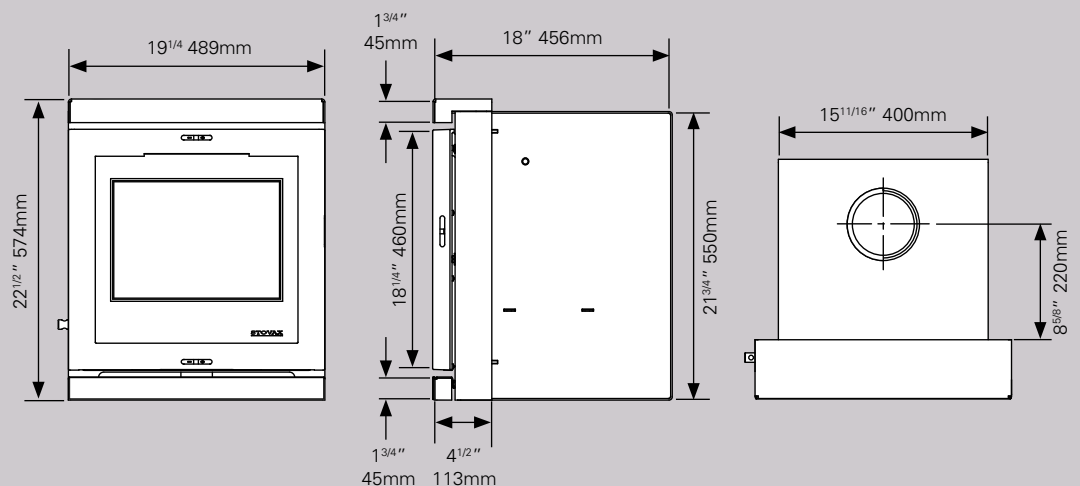
Size	With door	Without door
1' straight	4504	4500
2' straight	4505	4501
3' straight	4506	4502
3' 7" straight		4545
1' 3" – 2' 1" (telescopic)		4542
3' 4" – 4' 6" (telescopic)		4540
Tee piece with end cap		4516



View 7 Inset Convector

Weight: 120kg

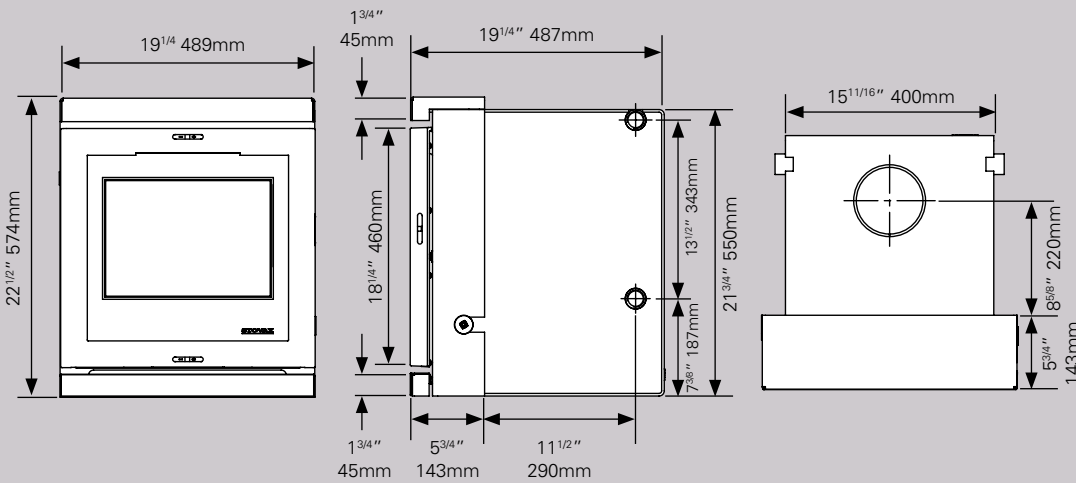
Connects to register plate, flexible flue liner or flue pipe. See installation instructions.



The information on these pages is to assist you in your choice of a suitable Stovax stove. This is not intended to be all the information required for installation. This information, along with minimum distances to combustible materials, can be obtained from your local Stovax retailer or you can download the full installation instructions from the website at www.stovax.com.

Weight: 137kg

View 7HB Inset Boiler

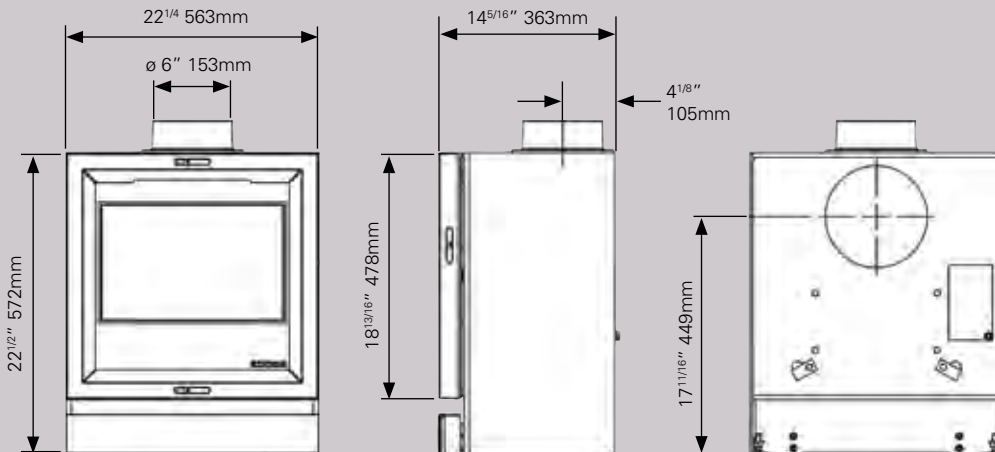


Connects to register plate, flexible flue liner or flue pipe. See installation instructions.

Maximum heat output:
 To boiler 7.4kW (25,200 BTU's)
 To room 4.0kW (13,600 BTU's)
 Total 11.4kW (38,800 BTU's)

Weight: 140kg

View 8

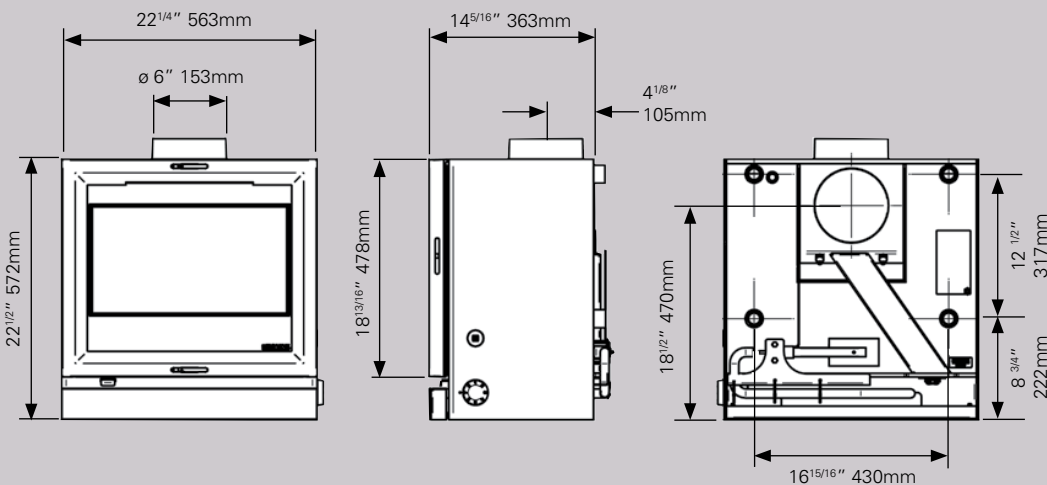


Connects with 6" flue pipe using:

Size	With door	Without door
1' straight	4604	4600
2' straight	4605	4601
3' straight	4606	4602
3' 7" straight		4645
1' 3" - 2' 1" (telescopic)		4642
3' 4" - 4' 6" (telescopic)		4640
Tee piece with end cap		4616

Weight: 140kg

View 8HB



Connects with 6" flue pipe using:

Size	With door	Without door
1' straight	4604	4600
2' straight	4605	4601
3' straight	4606	4602
3' 7" straight		4645
1' 3" - 2' 1" (telescopic)		4642
3' 4" - 4' 6" (telescopic)		4640
Tee piece with end cap		4616

Maximum heat output:
 To boiler 8.2kW (28,000 BTU's)
 To room 4.9kW (16,700 BTU's)
 Total 13.1kW (44,700 BTU's)

Dimensions and Flue Pipe

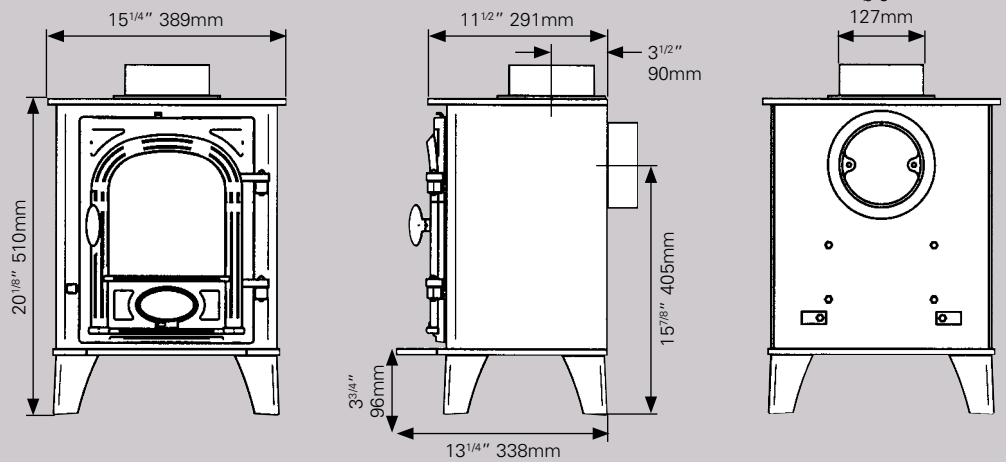
The flue pipe connects your stove to the existing/new chimney system. The chimney system must meet the requirements of Building Regulations (Document J) and the stove fitted in accordance with the detailed installation instructions provided with each unit. You may also download these instructions prior to purchase from www.stovax.com.

Stockton 3

Weight: 76kg

Connects with 5" flue pipe using:

Size	With door	Without door
1' straight	4504	4500
2' straight	4505	4501
3' straight	4506	4502
3' 7" straight		4545
1' 3" - 2' 1" (telescopic)		4542
3' 4" - 4' 6" (telescopic)		4540
Tee piece with end cap		4516

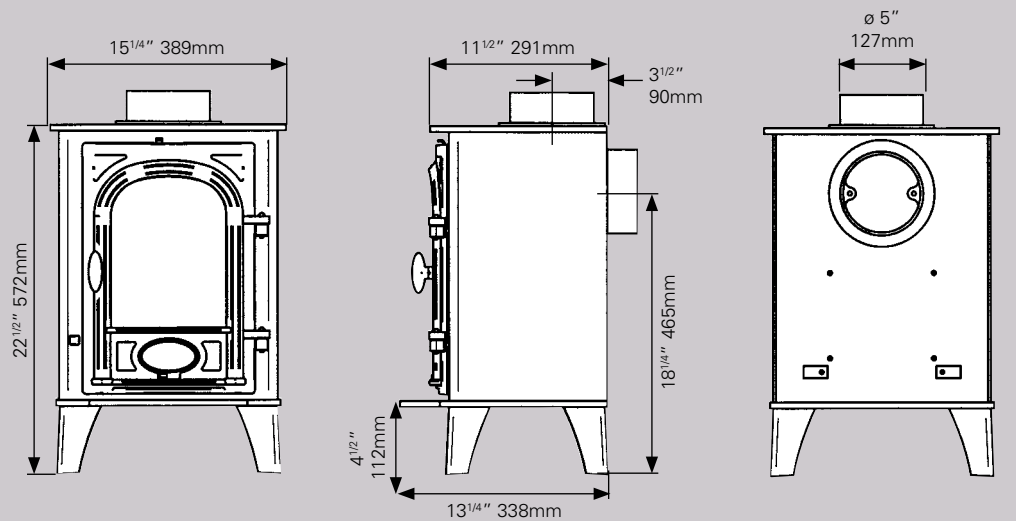


Stockton 4

Weight: 83kg

Connects with 5" flue pipe using:

Size	With door	Without door
1' straight	4504	4500
2' straight	4505	4501
3' straight	4506	4502
3' 7" straight		4545
1' 3" - 2' 1" (telescopic)		4542
3' 4" - 4' 6" (telescopic)		4540
Tee piece with end cap		4516

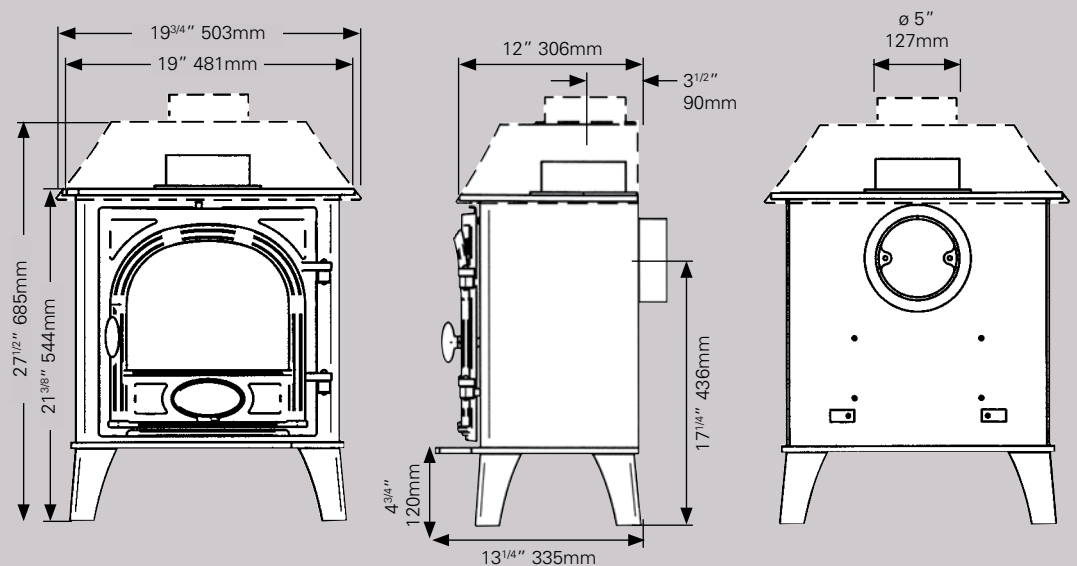


Stockton 5

Weight: 83kg - 90kg

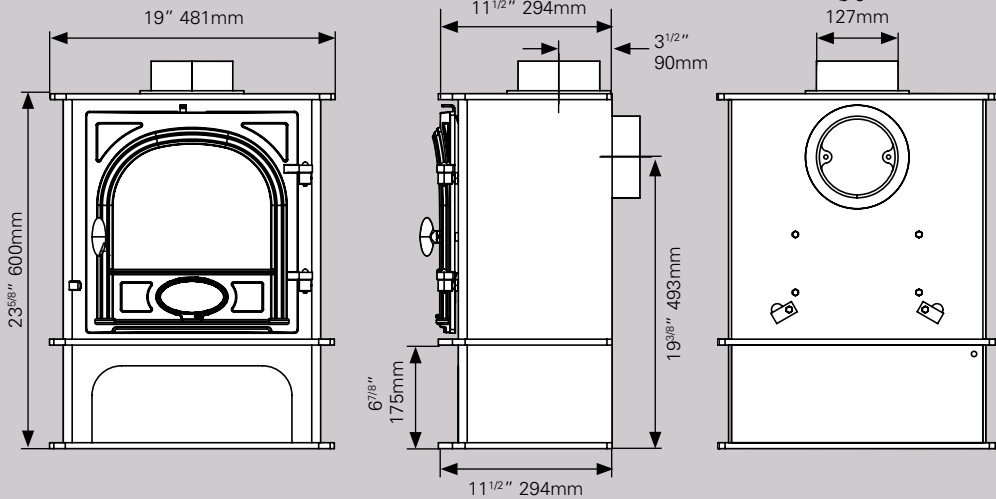
Connects with 5" flue pipe using:

Size	With door	Without door
1' straight	4504	4500
2' straight	4505	4501
3' straight	4506	4502
3' 7" straight		4545
1' 3" - 2' 1" (telescopic)		4542
3' 4" - 4' 6" (telescopic)		4540
Tee piece with end cap		4516



The information on these pages is to assist you in your choice of a suitable Stovax stove. This is not intended to be all the information required for installation. This information, along with minimum distances to combustible materials, can be obtained from your local Stovax retailer or you can download the full installation instructions from the website at www.stovax.com.

Weight: 100kg

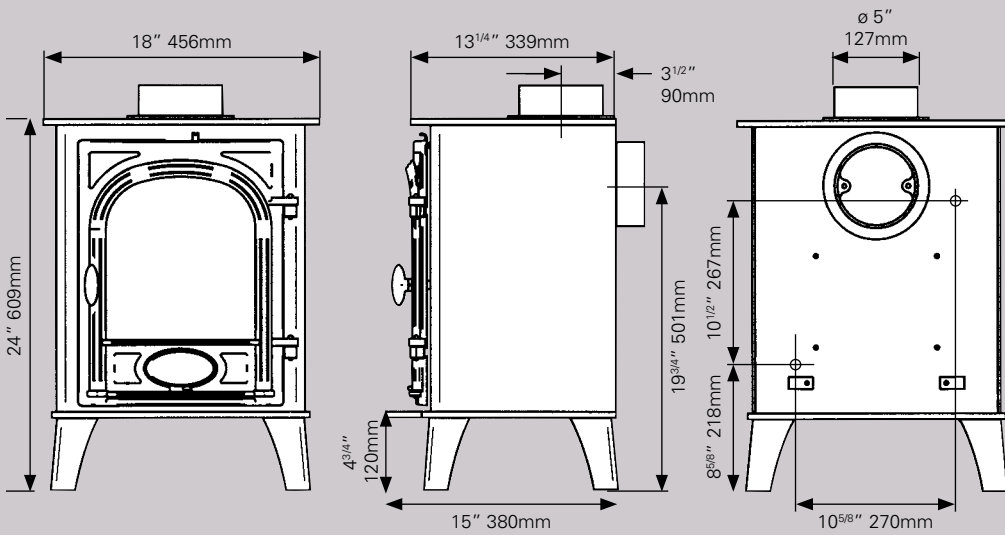


Stockton 5 Midline

Connects with 5" flue pipe using:

Size	With door	Without door
1' straight	4504	4500
2' straight	4505	4501
3' straight	4506	4502
3' 7" straight		4545
1' 3" - 2' 1" (telescopic)		4542
3' 4" - 4' 6" (telescopic)		4540
Tee piece with end cap		4516

Weight: 140kg



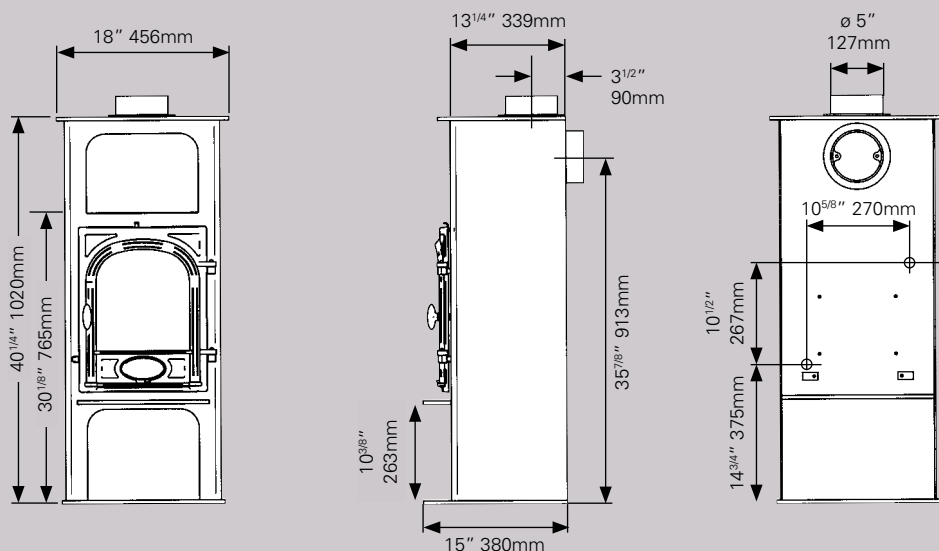
Stockton 6

Connects with 5" flue pipe using:

Size	With door	Without door
1' straight	4504	4500
2' straight	4505	4501
3' straight	4506	4502
3' 7" straight		4545
1' 3" - 2' 1" (telescopic)		4542
3' 4" - 4' 6" (telescopic)		4540
Tee piece with end cap		4516

Clip-in Boiler
Maximum heat output:
To boiler 2.9kW (10,000 BTU's)
To room 3.1kW (10,400 BTU's)
Total 6kW (20,400 BTU's)

Weight: 130kg



Stockton 6 Highline

Connects with 5" flue pipe using:

Size	With door	Without door
1' straight	4504	4500
2' straight	4505	4501
3' straight	4506	4502
3' 7" straight		4545
1' 3" - 2' 1" (telescopic)		4542
3' 4" - 4' 6" (telescopic)		4540
Tee piece with end cap		4516

Clip-in Boiler
Maximum heat output:
To boiler 2.9kW (10,000 BTU's)
To room 3.1kW (10,400 BTU's)
Total 6kW (20,400 BTU's)

Dimensions and Flue Pipe

The flue pipe connects your stove to the existing/new chimney system. The chimney system must meet the requirements of Building Regulations (Document J) and the stove fitted in accordance with the detailed installation instructions provided with each unit. You may also download these instructions prior to purchase from www.stovax.com.

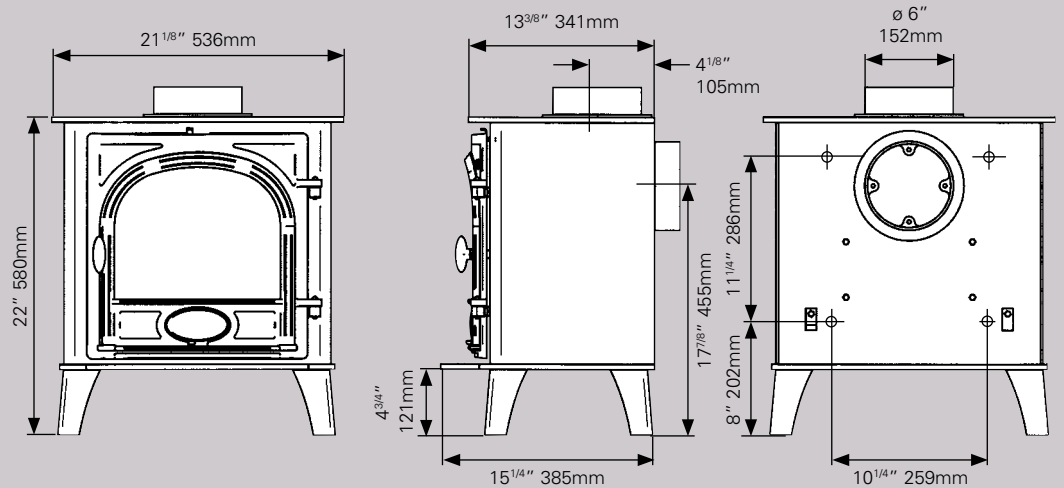
Stockton 7

Weight: 130kg

Connects with 6" flue pipe using:

Size	With door	Without door
1' straight	4604	4600
2' straight	4605	4601
3' straight	4606	4602
3' 7" straight		4645
1' 3" - 2' 1" (telescopic)		4642
3' 4" - 4' 6" (telescopic)		4640
Tee piece with end cap		4616

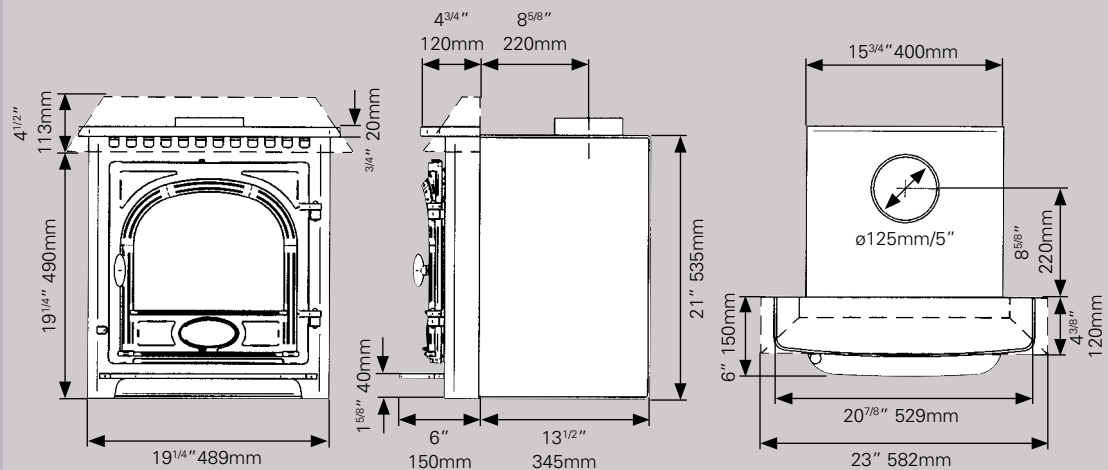
Clip-in Boiler
 Maximum heat output:
 To boiler 3.5kW (12,000 BTU's)
 To room 3.5kW (11,800 BTU's)
 Total 7kW (23,800 BTU's)



Stockton 7 Inset Convector

Weight: 120kg

Connects to register plate, flexible flue liner or flue pipe. See installation instructions.

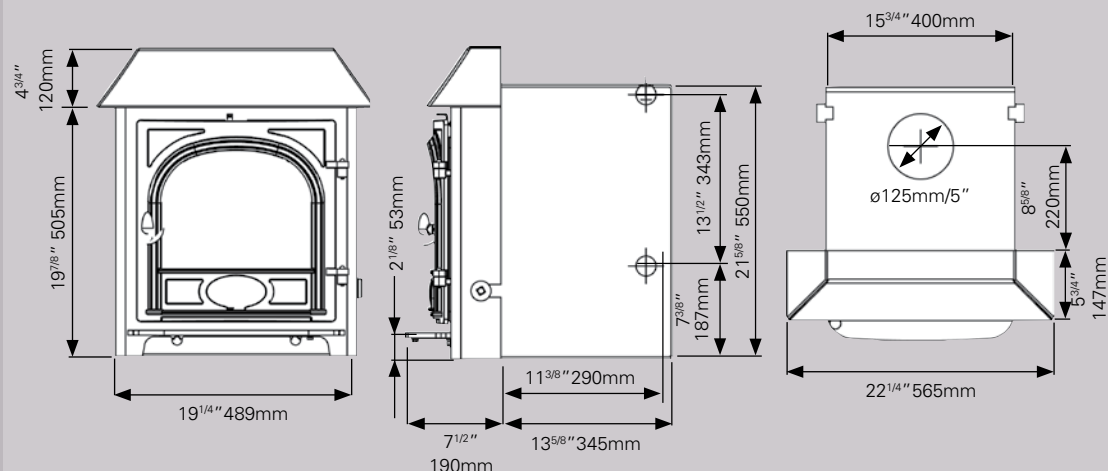


Stockton 7HB Inset Boiler

Weight: 130kg

Connects to register plate, flexible flue liner or flue pipe. See installation instructions.

Maximum heat output:
 To boiler 7.4kW (25,200 BTU's)
 To room 4.0kW (13,600 BTU's)
 Total 11.4kW (38,800 BTU's)

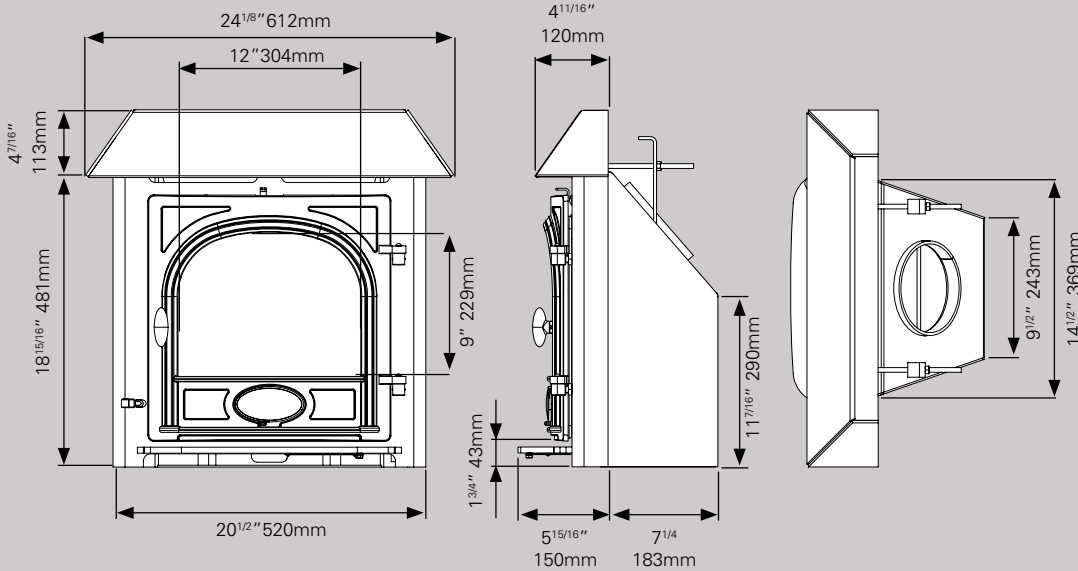


The information on these pages is to assist you in your choice of a suitable Stovax stove. This is not intended to be all the information required for installation. This information, along with minimum distances to combustible materials, can be obtained from your local Stovax retailer or you can download the full installation instructions from the website at www.stovax.com.

Weight: 90kg

Stockton Milner

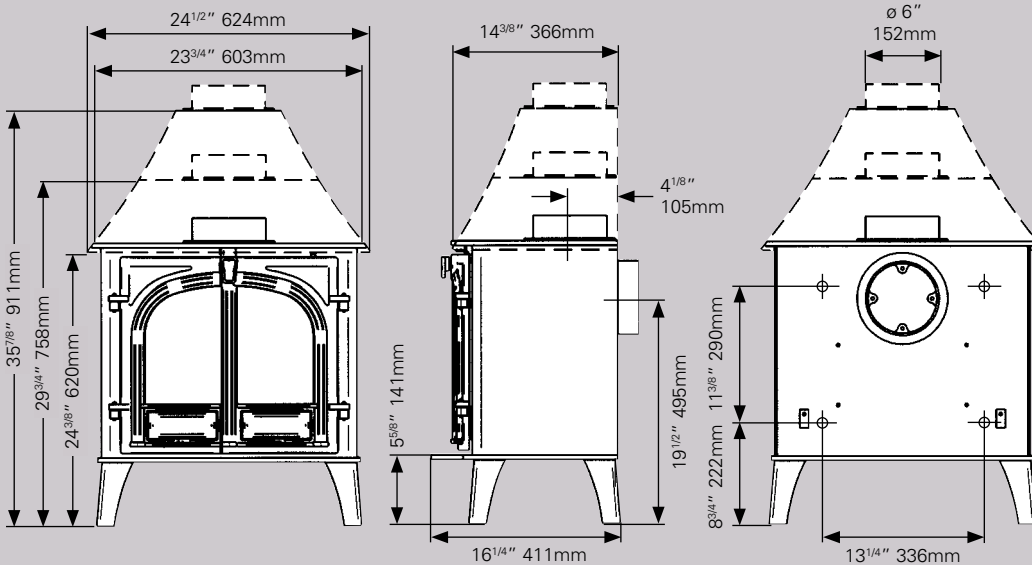
Fits into existing Milner fireback. See installation instructions.



Weight: 120kg

Stockton 8

Connects with 6" flue pipe using:



Size	With door	Without door
1' straight	4604	4600
2' straight	4605	4601
3' straight	4606	4602
3' 7" straight		4645
1' 3" - 2' 1" (telescopic)		4642
3' 4" - 4' 6" (telescopic)		4640
Tee piece with end cap		4616

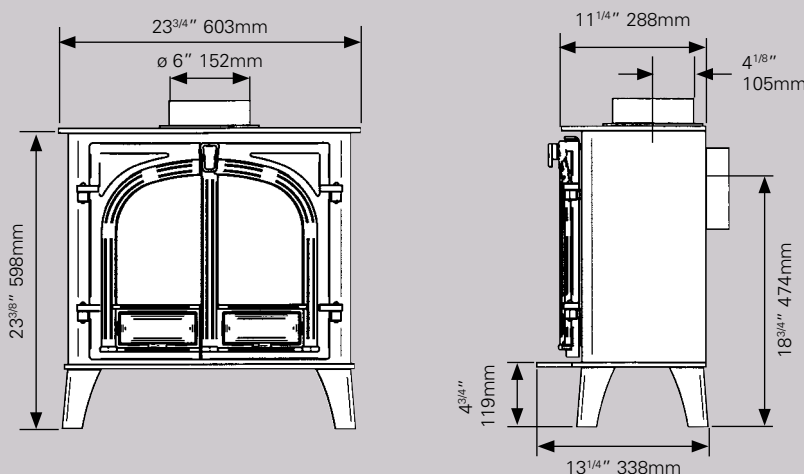
Maximum heat output for single and 2 door with 'clip-in' boiler:
 To boiler 4.4kW (15,000 BTU's)
 To room 3.6kW (12,200 BTU's)
 Total 8kW (27,200 BTU's)

Maximum heat output for single and 2 door with integral boiler:*
 To boiler 4kW (13,600 BTU's)
 To room 4kW (13,600 BTU's)
 Total 8kW (27,400 BTU's)
 * Whilst stocks last

Weight: 120kg

Stockton 8 Slimline 2 Door

Connects with 6" flue pipe using:



Size	With door	Without door
1' straight	4604	4600
2' straight	4605	4601
3' straight	4606	4602
3' 7" straight		4645
1' 3" - 2' 1" (telescopic)		4642
3' 4" - 4' 6" (telescopic)		4640
Tee piece with end cap		4616

Dimensions and Flue Pipe

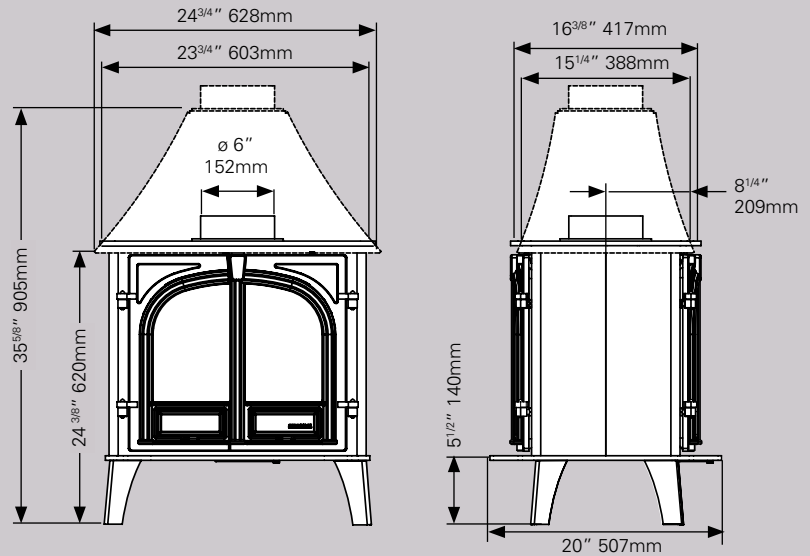
Flue pipe connects your stove to the existing/new chimney system. The chimney system must meet the requirements of Building Regulations (Document J) and the stove fitted in accordance with the detailed installation instructions provided with each unit. You may also download these instructions prior to purchase from www.stovax.com.

Stockton 8 Double Sided

Weight: 120kg

Connects with 6" flue pipe using:

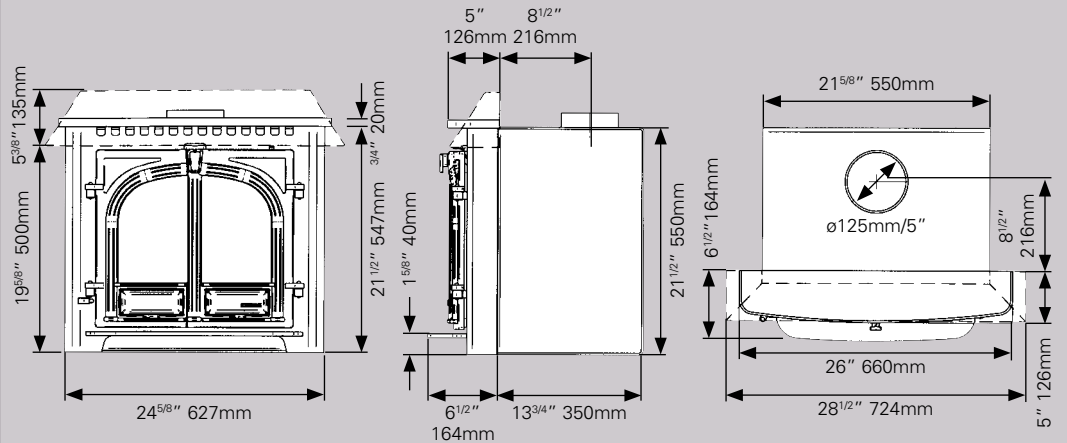
Size	With door	Without door
1' straight	4604	4600
2' straight	4605	4601
3' straight	4606	4602
3' 7" straight		4645
1' 3" – 2' 1" (telescopic)		4642
3' 4" – 4' 6" (telescopic)		4640
Tee piece with end cap		4616



Stockton 8 Inset Convector

Weight: 120kg

Connects to register plate, flexible flue liner or flue pipe. See installation instructions.

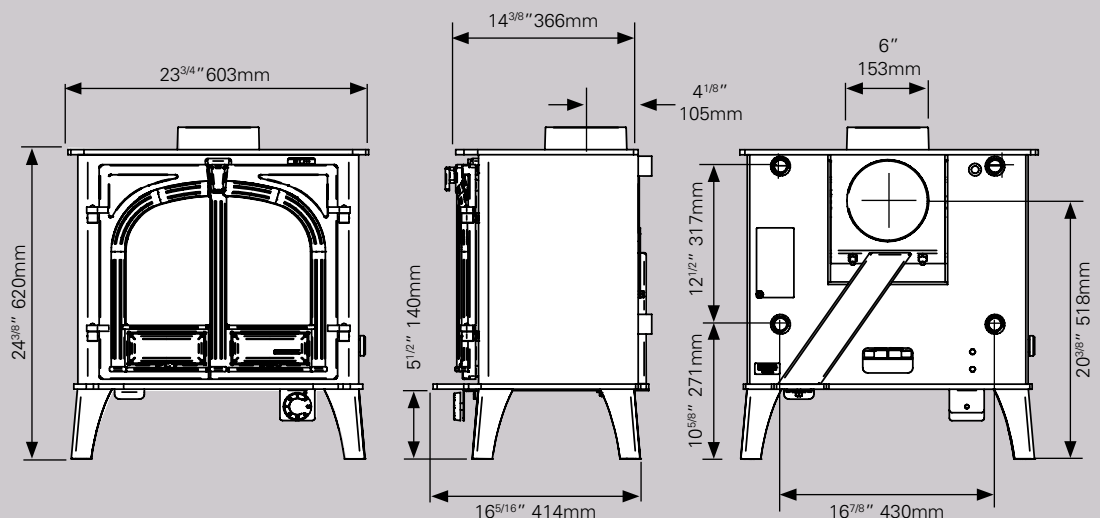


Stockton 8HB Boiler

Weight: 140kg

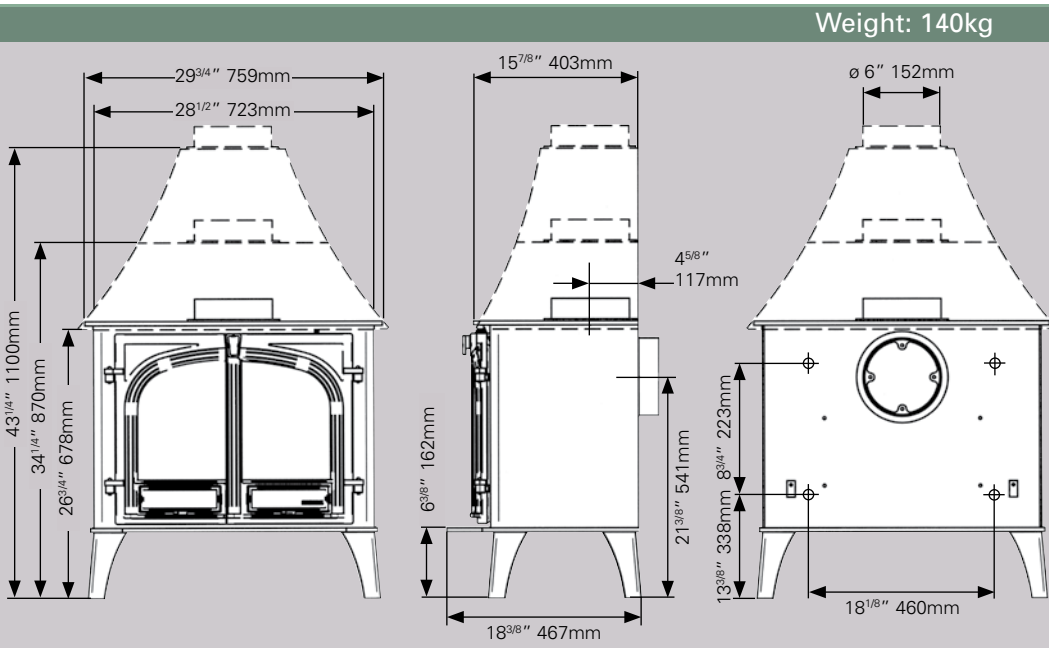
Connects with 6" flue pipe using:

Size	With door	Without door
1' straight	4604	4600
2' straight	4605	4601
3' straight	4606	4602
3' 7" straight		4645
1' 3" – 2' 1" (telescopic)		4642
3' 4" – 4' 6" (telescopic)		4640
Tee piece with end cap		4616



Maximum heat output:
 To boiler 8.2kW (28,000 BTU's)
 To room 4.9kW (16,700 BTU's)
 Total 13.1kW (44,700 BTU's)

The information on these pages is to assist you in your choice of a suitable Stovax stove. This is not intended to be all the information required for installation. This information, along with minimum distances to combustible materials, can be obtained from your local Stovax retailer or you can download the full installation instructions from the website at www.stovax.com.

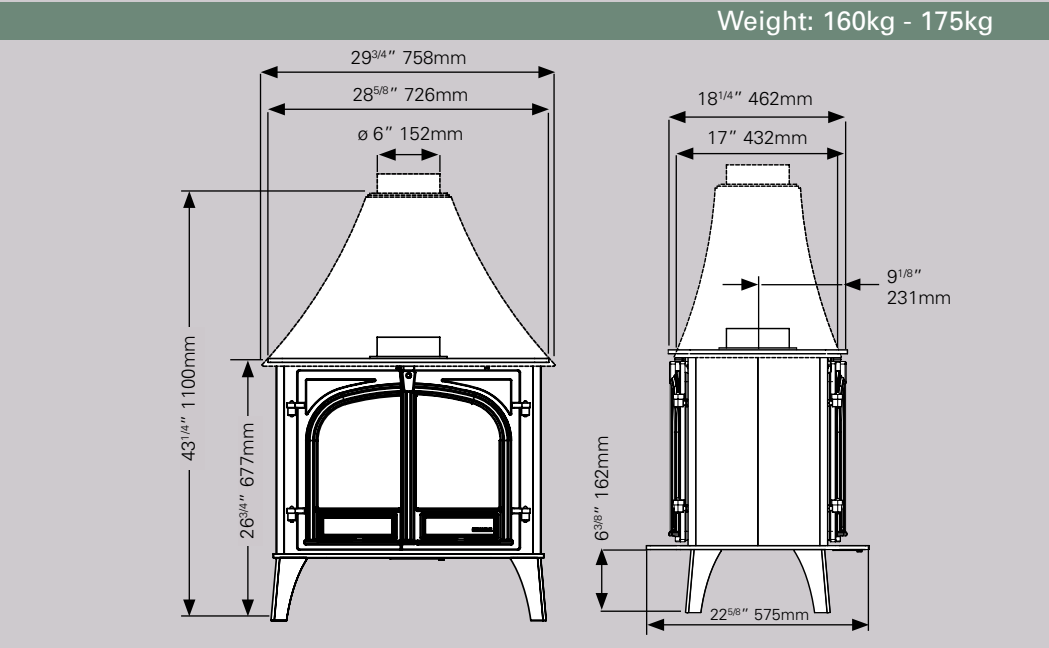


Stockton 11

Connects with 6" flue pipe using:

Size	With door	Without door
1' straight	4604	4600
2' straight	4605	4601
3' straight	4606	4602
3' 7" straight		4645
1' 3" - 2' 1" (telescopic)		4642
3' 4" - 4' 6" (telescopic)		4640
Tee piece with end cap		4616

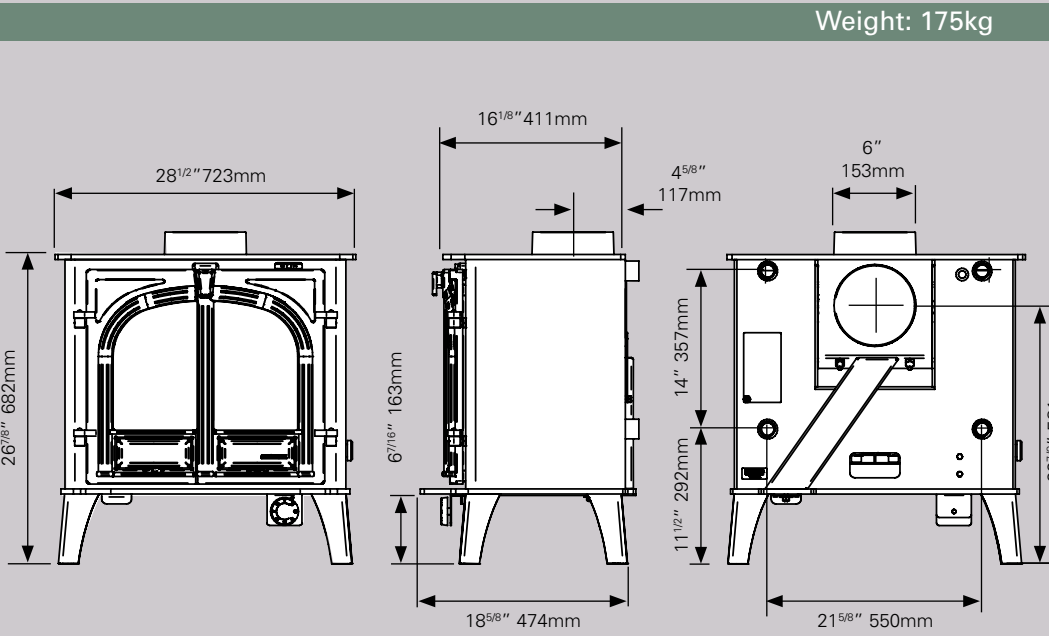
Clip-in Boiler
 Maximum heat output for single and 2 door:
 To boiler 7.1kW (24,000 BTU's)
 To room 3.1kW (10,500 BTU's)
 Total 10.2kW (34,500 BTU's)



Stockton 11 Double Sided

Connects with 6" flue pipe using:

Size	With door	Without door
1' straight	4604	4600
2' straight	4605	4601
3' straight	4606	4602
3' 7" straight		4645
1' 3" - 2' 1" (telescopic)		4642
3' 4" - 4' 6" (telescopic)		4640
Tee piece with end cap		4616



Stockton 11HB Boiler

Connects with 6" flue pipe using:

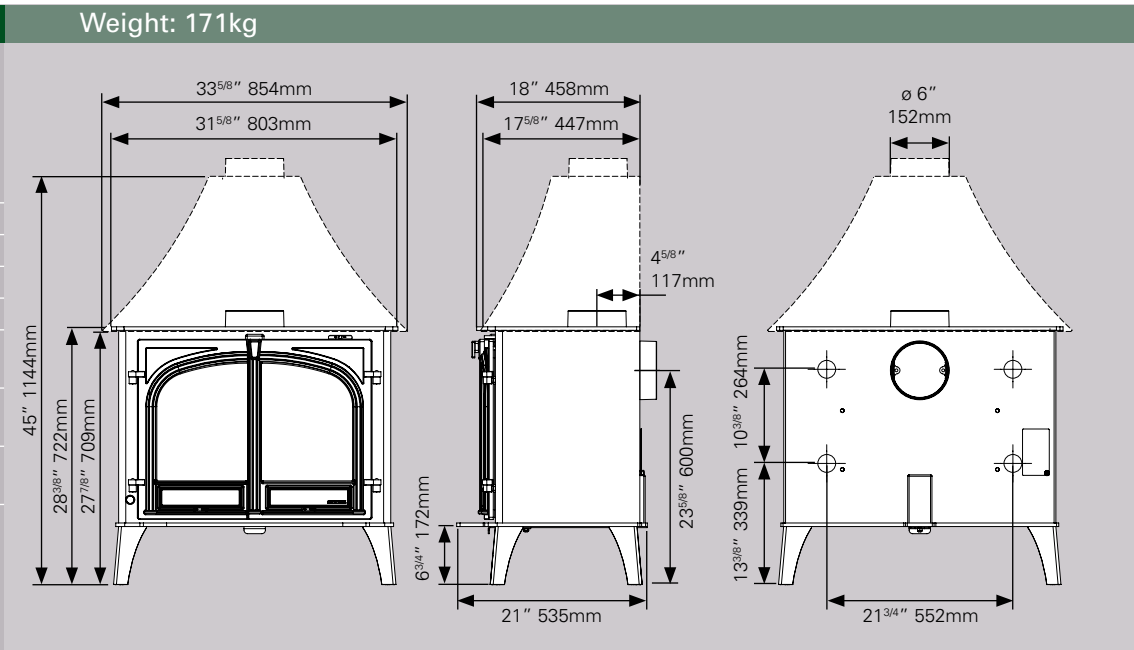
Size	With door	Without door
1' straight	4604	4600
2' straight	4605	4601
3' straight	4606	4602
3' 7" straight		4645
1' 3" - 2' 1" (telescopic)		4642
3' 4" - 4' 6" (telescopic)		4640
Tee piece with end cap		4616

Maximum heat output:
 To boiler 11.0kW (37,500 BTU's)
 To room 7.0kW (23,900 BTU's)
 Total 18.0kW (61,400 BTU's)

Dimensions and Flue Pipe

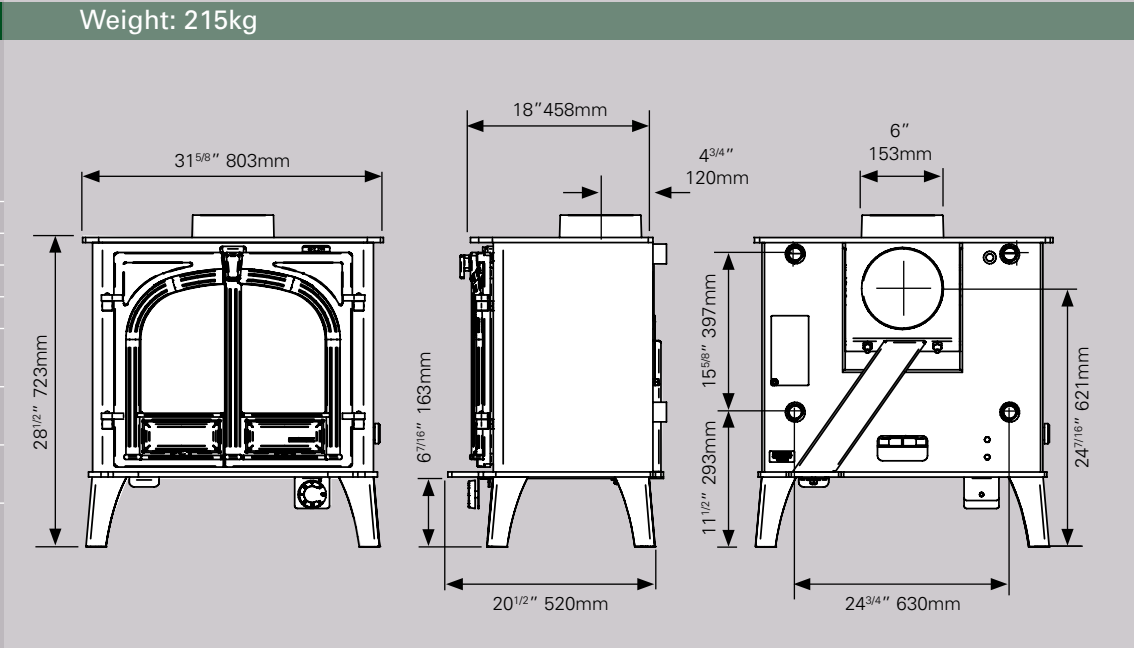
Flue pipe connects your stove to the existing/new chimney system. The chimney system must meet the requirements of Building Regulations (Document J) and the stove fitted in accordance with the detailed installation instructions provided with each unit. You may also download these instructions prior to purchase from www.stovax.com.

Stockton 14		
Connects with 6" flue pipe using:		
Size	With door	Without door
1' straight	4604	4600
2' straight	4605	4601
3' straight	4606	4602
3' 7" straight		4645
1' 3" – 2' 1" (telescopic)		4642
3' 4" – 4' 6" (telescopic)		4640
Tee piece with end cap		4616

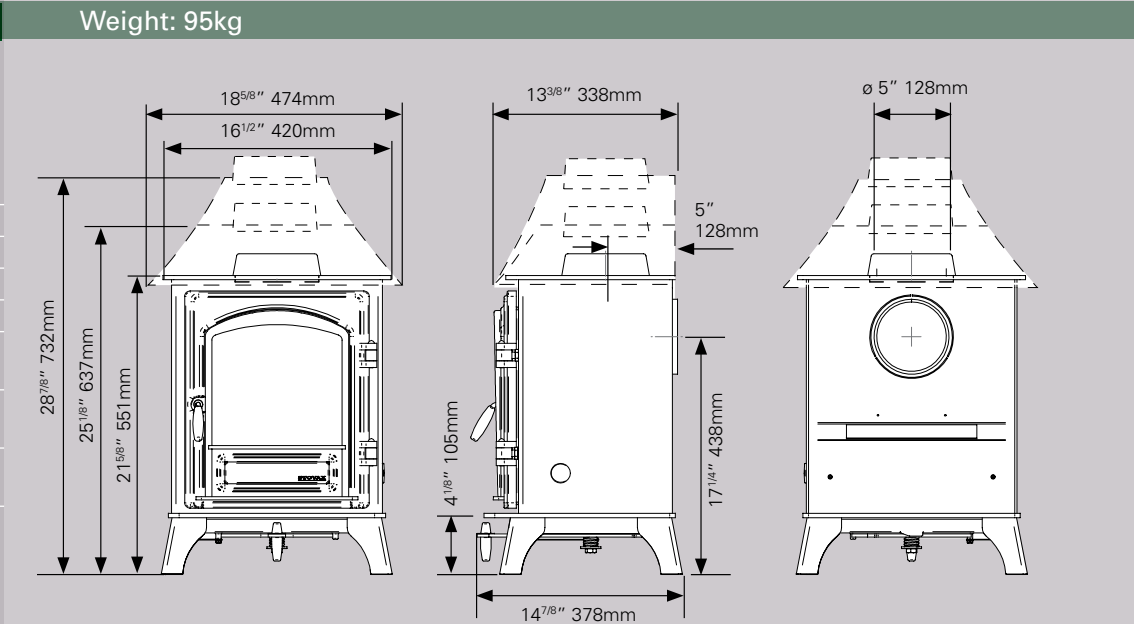


Stockton 14HB Boiler		
Connects with 6" flue pipe using:		
Size	With door	Without door
1' straight	4604	4600
2' straight	4605	4601
3' straight	4606	4602
3' 7" straight		4645
1' 3" – 2' 1" (telescopic)		4642
3' 4" – 4' 6" (telescopic)		4640
Tee piece with end cap		4616

Maximum heat output:
 To boiler 15.0kW (51,200 BTU's)
 To room 7.0kW (23,900 BTU's)
 Total 22.0kW (75,100 BTU's)



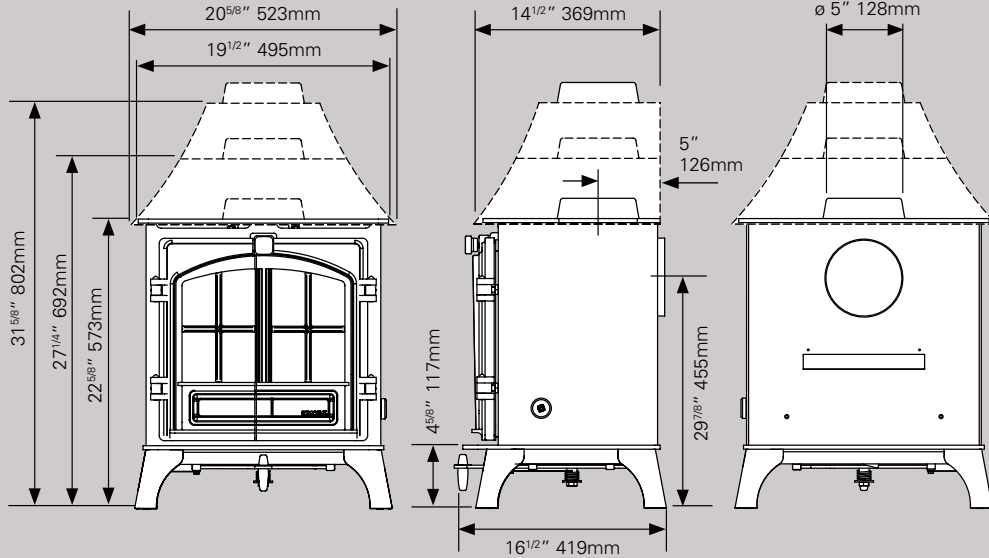
Riva Plus Small		
Connects with 5" flue pipe using:		
Size	With door	Without door
1' straight	4504	4500
2' straight	4505	4501
3' straight	4506	4502
3' 7" straight		4545
1' 3" – 2' 1" (telescopic)		4542
3' 4" – 4' 6" (telescopic)		4540
Tee piece with end cap		4516



The information on these pages is to assist you in your choice of a suitable Stovax stove. This is not intended to be all the information required for installation. This information, along with minimum distances to combustible materials, can be obtained from your local Stovax retailer or you can download the full installation instructions from the website at www.stovax.com.

Weight: 113kg

Riva Plus Midi

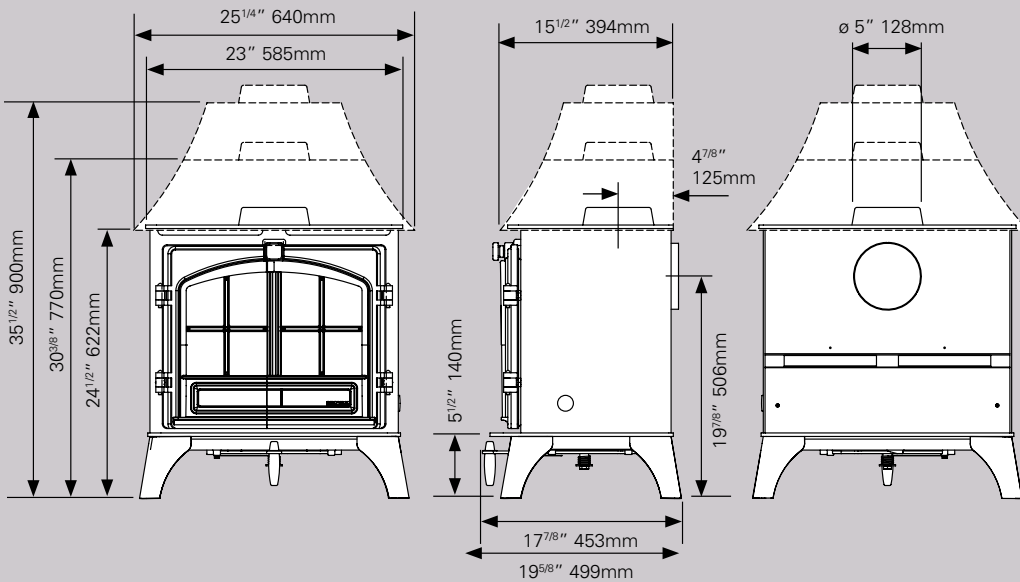


Connects with 5" flue pipe using:

Size	With door	Without door
1' straight	4504	4500
2' straight	4505	4501
3' straight	4506	4502
3' 7" straight		4545
1' 3" – 2' 1" (telescopic)		4542
3' 4" – 4' 6" (telescopic)		4540
Tee piece with end cap		4516

Weight: 146kg

Riva Plus Medium

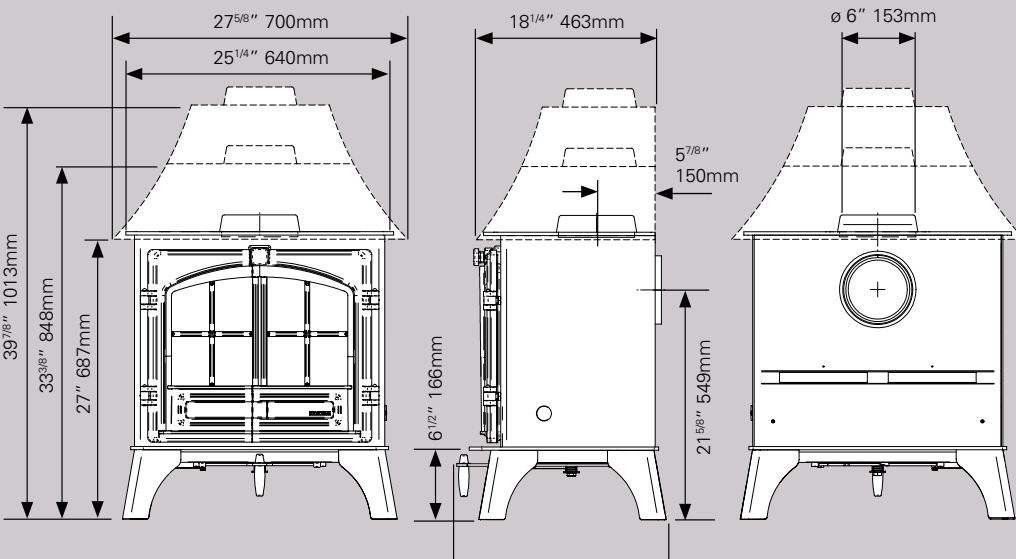


Connects with 5" flue pipe using:

Size	With door	Without door
1' straight	4504	4500
2' straight	4505	4501
3' straight	4506	4502
3' 7" straight		4545
1' 3" – 2' 1" (telescopic)		4542
3' 4" – 4' 6" (telescopic)		4540
Tee piece with end cap		4516

Weight: 175kg

Riva Plus Large



Connects with 6" flue pipe using:

Size	With door	Without door
1' straight	4604	4600
2' straight	4605	4601
3' straight	4606	4602
3' 7" straight		4645
1' 3" – 2' 1" (telescopic)		4642
3' 4" – 4' 6" (telescopic)		4640
Tee piece with end cap		4616

Also available from the Stovax Group...

Professional XQ™ Chimney Systems

Stovax also offers a comprehensive range of stove & fireplace chimney systems, the Stovax Professional XQ™ collection. Crafted from 304L grade stainless steel for a durable outer finish, the fully sealed components offer water tight protection for the insulation within.

With innovative decorative options, the ability to specify a colour for your system and with a host of technical advancements such as their Twist-Lock system, the Professional XQ™ range provides an attractive, versatile and reliable solution for your flue system. Furthermore, the Professional XQ™ range carries a 10 year conditional warranty offering complete peace of mind.

For further information or to request a brochure, simply contact your local retailer or visit www.stovax.com/chimneysystems.



Classic Fireplaces

Whether you want to restore a period house to its former glory or create an authentic look for a more modern home, you can be confident that Stovax's Classic Fireplaces take their inspiration from genuine 19th Century designs. We also pride ourselves on the fact that each remains an individual masterpiece, hand-cast to the same specification as Georgian and Victorian originals, and extensively finished to display a wealth of intricate detail.

Alternatively, we also offer fireplaces with the most up-to-date design to complement modern interiors. In several cases, Stovax have added a 21st Century slant to the design to make them even more appropriate to today's homes and lifestyles.

For further information or to request a brochure, simply contact your local retailer or visit www.stovax.com.



Details on the full range of products available and brochure PDF's can be found at the websites detailed above. Alternatively, you can scan this QR code or visit www.stovax.com to view our whole range of brochures.

Brochure Photography

All of the flame pictures shown in this brochure are taken from real fires. Please note however that flame pictures will vary depending on the exact fuel used, flue conditions and surrounding geographical features. Some of the photography in this brochure may not comply with the latest Building Regulations and you should always check your proposed installation with your HETAS installer before proceeding. Certain settings in this brochure are dependant on the use of heat shields to reduce temperatures on combustible materials within defined distances as set by the Building Regulations.

Stovax gratefully acknowledges the assistance of the following companies with photographic settings:

Ashore - 01392 477763; Beach Bros - www.beachbros.co.uk; Bradley Natural Stone Fireplaces - www.bnsf.co.uk;
Chandi Chowk - www.chandnichowk.co.uk; Debenhams - www.debenhams.com; Dingles - www.houseoffraser.co.uk; Easyart - www.easyart.com;
Eclectique - www.eclectique.co.uk; Fagins Antiques - www.faginsantiques.com; Farmington Stone Fireplaces - www.farmington.co.uk;
Furniture Village - www.furniturevillage.co.uk; Laura Ashley - www.lauraashley.com; Moko - www.mokodirect.com; Next - www.next.co.uk;
Orange Tree - www.theorangetree.co.uk; Original Style - www.originalstyle.com; Rudloe Stone Fireplaces - www.rudloe-stone.com;
Toby's Antiques - www.tobysreclamation.co.uk; Triton Galleries - www.tritongalleries.co.uk



STOVAX

Fire Your Imagination



View 8 Woodburning



Your Stovax retailer:

£3.00



STOVAX

Fire Your Imagination

Stovax Limited

Falcon Road, Sowton Industrial Estate,
Exeter, Devon, England EX2 7LF

Trade sales Tel: 01392 474000
Export sales Tel: 00 44 1392 261990
Other depts Tel: 01392 474011
Fax: 01392 219932
Email: info@stovax.com



To view & download our complete range of brochures, simply scan this code or visit www.stovax.com

A member of the Stovax Group

www.stovax.com